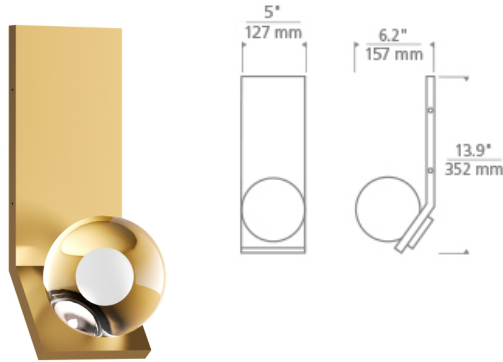


# Mina Wall LED

## DESCRIPTION

The Mina Wall Sconce by Tech Lighting features an elegant sphere of pure optic crystal. This beautiful resting orb is laser-etched and further illuminated by a powerful firing LED hidden within the socket. With an outward bending backplate to angle the illumination, the Mina provides general illumination in the surrounding space. Due to its contemporary and artistic design, the Mina can be used in a range of lighting applications alongside the coordinating Mina Pendants and Table Lamp. Available in three finishes, Natural Brass that will patina over time, Nightshade Black and Polished Nickel. Includes 12 watt, 243 delivered lumens, 3000K, 90 CRI LED module. 120V dimmable with most LED compatible ELV and Triac dimmers. 277V compatible with 0-10V dimmers. Mounts up or down.



## INSTALLATION

This product can mount to either a 4" square electrical box with round plaster ring or an octagonal electrical box (not included).

## WEIGHT

7.5-7.5lb / 3.4-3.4kg ±



natural brass    nightshade black    polished nickel

## ORDERING INFORMATION

**700WSMINA** FINISH

LAMP

**N**NATURAL BRASS  
**B** NIGHTSHADE BLACK  
**N** POLISHED NICKEL

**-LED930** LED 90 CRI 3000K 120V  
**-LED930-277** LED 90 CRI 3000K 277V



700WS MINA

FIXTURE: \_\_\_\_\_

TYPE: \_\_\_\_\_

JOB NAME: \_\_\_\_\_

NOTES: \_\_\_\_\_

