



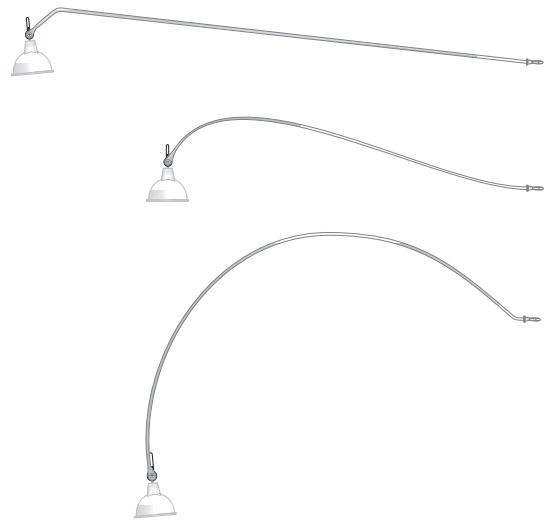
DISPLAY JACK

GENERAL PRODUCT INFORMATION:

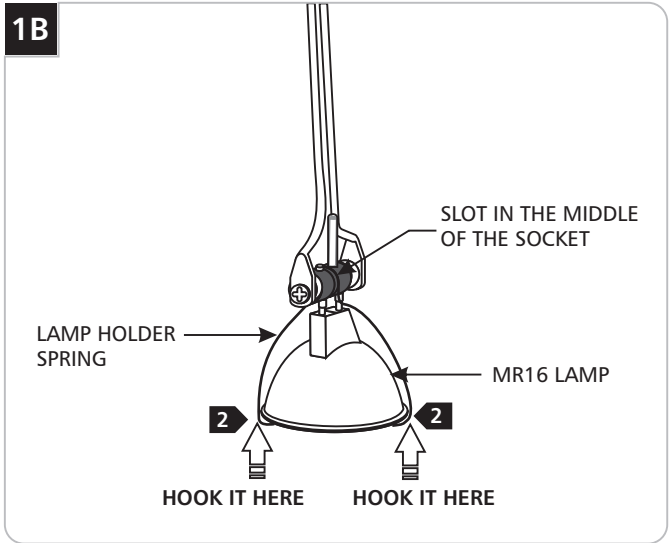
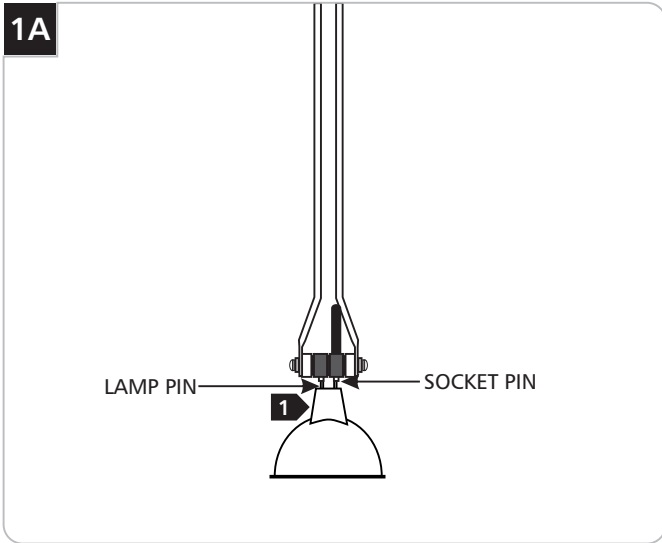


This product is suitable for indoor dry locations only.

Wild Thing, Sun Louver, Flight Paper, MR16 Snout, Round Glass Shield, Lil Egypt, Lil Wok, Barndoors, Snap Barndoors, Backlight Shield, Louver Lend Holder, Snap Louver Holder, Eggcrate Louver, and Glass Lens are the compatible accessories and optical controls.




Installing the Lamp



CAUTION: To reduce the risk of a burn or electric shock during relamping, disconnect the power to the fixture.

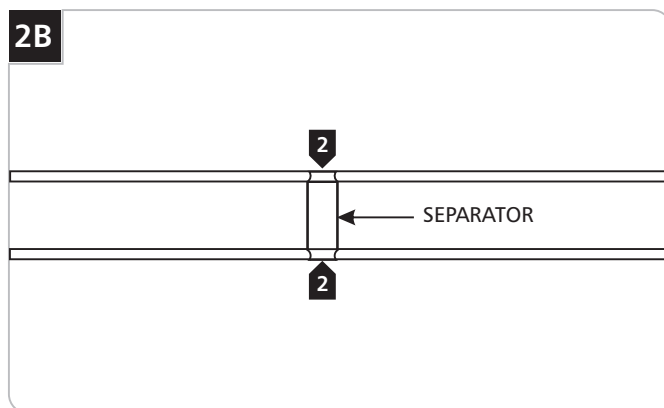
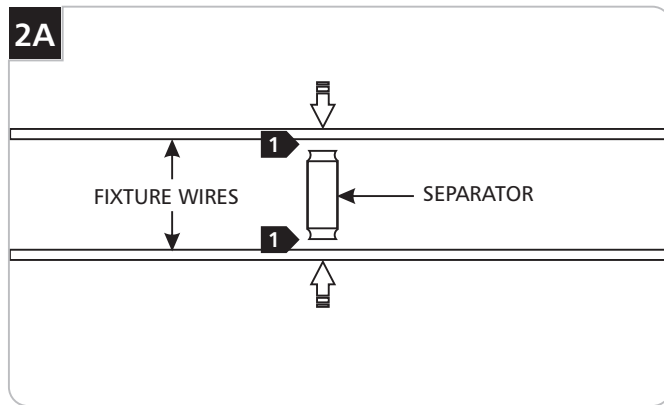
NOTE: Use only your fingers and a soft cloth to replace the lamp.

Use **MAX 75 Watt, MR16 Front Cover Halogen Lamp.** 

1 Push the MR16 lamp pins all the way into the socket pins.

2 Hook one end of the lamp holder spring (provided with the package) onto front of the lamp. Wrap the spring over the slot in the middle of the socket and hook the other end onto front of the lamp.

Installing the Separator



- 1 Place the separator (provided in the package) between the fixture wires.
- 2 Push the wires toward each other until the fixture wires snap into the separator.

SAVE THESE INSTRUCTIONS!

IMPORTANT SAFETY INSTRUCTIONS

To reduce the risk of fire, electrical shock, exposure to excessive UV radiation, or injury to person:

- Use this fixture indoors only.
- Do not look directly at the lighted lamp.
- Do not remain in light if skin feels warm.
- Risk of fire: Use only the type of lamp and maximum wattage indicated in this instruction manual.
- Never cover the halogen lamp with anything other than a Tech Lighting lamp shield and never place flammable material close to your fixture.
- Never turn the fixture on and off by connecting and disconnecting the halogen lamp.
- Do not touch the fixture shades or lamp while the fixture is on. These surfaces may be HOT.
- The MR16 lamp must have a protective front cover glass.

Halogen Lamp General Information

- A new halogen lamp may smoke slightly when it is used for the first time. This is perfectly normal; the protective coating is simply being vaporized.

Two Tips For Prolonging Halogen Lamp Life

- First avoid touching the lamp with bare hands during installation. Any contaminant, even the oil from your hands can deteriorate the lamp. Rubbing alcohol can be used to remove any contaminant.
- Second, do not run the lamps at full power when you do not need to. However, if dimming the fixture for an extended period of time, occasionally bring the light up to full brightness for a few minutes to complete the halogen cycle.



7400 Linder Ave, Skokie, IL 60077
847.410.4400

www.techlighting.com

© 2008 Tech Lighting, L.L.C. All rights reserved. The "Tech Lighting" graphic is a registered trademark of Tech Lighting, L.L.C. Tech Lighting reserves the right to change specifications for product improvements without notification.
A Generation Brands Company