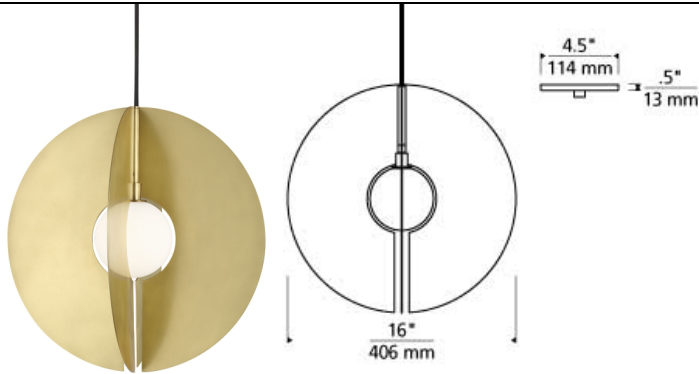


# Orbel Round Pendant LED T20

## DESCRIPTION

The Orbel Collection by Tech Lighting is inspired by Mid-Century modern art with contrasting geometric shapes. The Orbel Round pendant features metal circles that surround a glowing, frosted sphere of light. Designed with an 18 inch diameter and offered in three modern finishes, this line-voltage pendant is beautiful when installed in multiples or combined with the Orbel Pyramid pendant. Coordinate your design with other fixtures in the Orbel collection, such as the flush mount, bath light and wall sconce. Lamping options are compatible with most dimmers. Refer to the Dimming Chart for more information. (No Lamp) Rated for rated for (1) 5 watt max. G9 Bi-Pin lamp (Not Included). LED 120 volt 5 watt, 303 delivered lumens, 3000K, LED G9 Bi-Pin lamp. Dimmable with most LED compatible ELV and TRIAC dimmers. Fixture provided with six feet of field-cuttable black cloth cord.



## INSTALLATION

This product can mount to either a 4" square electrical box with round plaster ring or an octagon electrical box.

## WEIGHT

10-10lb / 4.54-4.54kg ±



brass  
(aged brass not shown)

polished nickel

matte black

## ORDERING INFORMATION

700 SYSTEM	OBLR	FINISH	LAMP
TD	LINE-VOLTAGE PENDANTS/SUSPENSION	R AGED BRASS B MATTE BLACK N POLISHED NICKEL	NO LAMP -LED930 BI-PIN G9 LED 90 CRI 3000K 120V (T20/T24)



**TECH LIGHTING®**

7400 Linder Avenue T 847.410.4400  
Skokie, Illinois 60077 F 847.410.4500

Tech Lighting, L.L.C.

700 \_\_\_\_ OBLR \_\_\_\_

FIXTURE TYPE: \_\_\_\_\_

JOB NAME: \_\_\_\_\_

NOTES: \_\_\_\_\_

\_\_\_\_\_

\_\_\_\_\_



©2019 Tech Lighting, L.L.C. All Rights Reserved. The "Tech Lighting" graphic is a registered trademark of Tech Lighting, L.L.C. Tech Lighting reserves the right to change specifications for product improvements without notification.