

Turbo Column

700OCTUR_ 1.2



GENERAL PRODUCT INFORMATION:



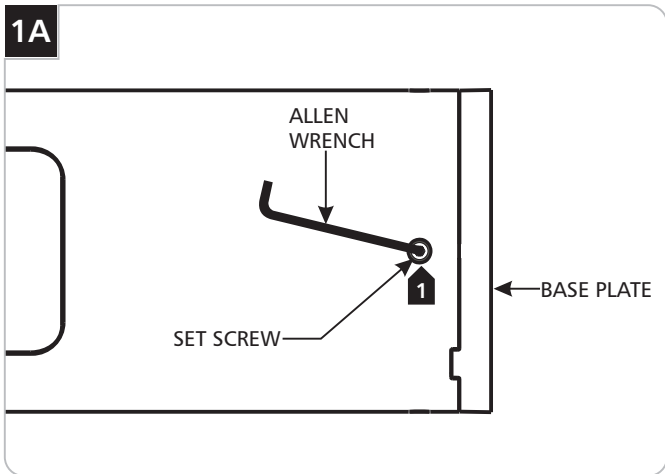
This product is suitable for wet locations.

Refer to the product specsheet for dimming information.

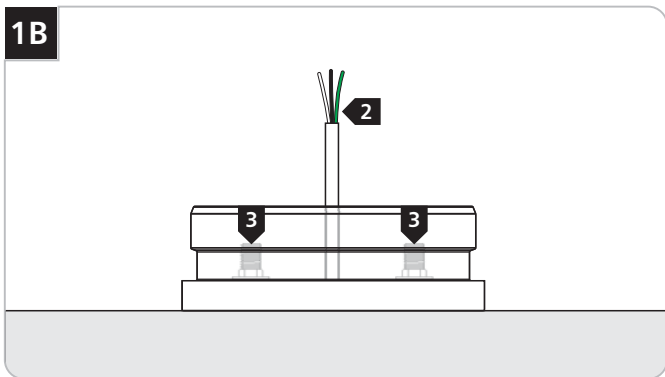


CAUTION - RISK OF FIRE
 This product must be installed in accordance with the applicable installation code by a person familiar with the construction and operation of the product and the hazards involved.
 Use minimum 90°C supply conductors.

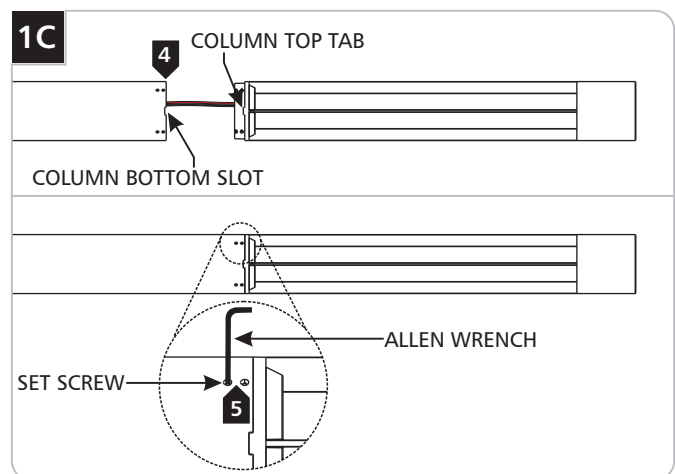
Install the Column



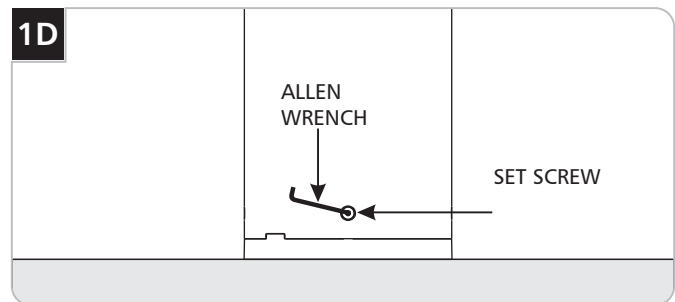
1 Loosen (**Do Not Remove**) the four set screws on column base with the provided Allen wrench and remove the base plate.



- 2** Bring the power wires to the fixture location in accordance with local electrical codes.
- 3** Mount the base plate to an even and smooth surface using the provided template on page 3.

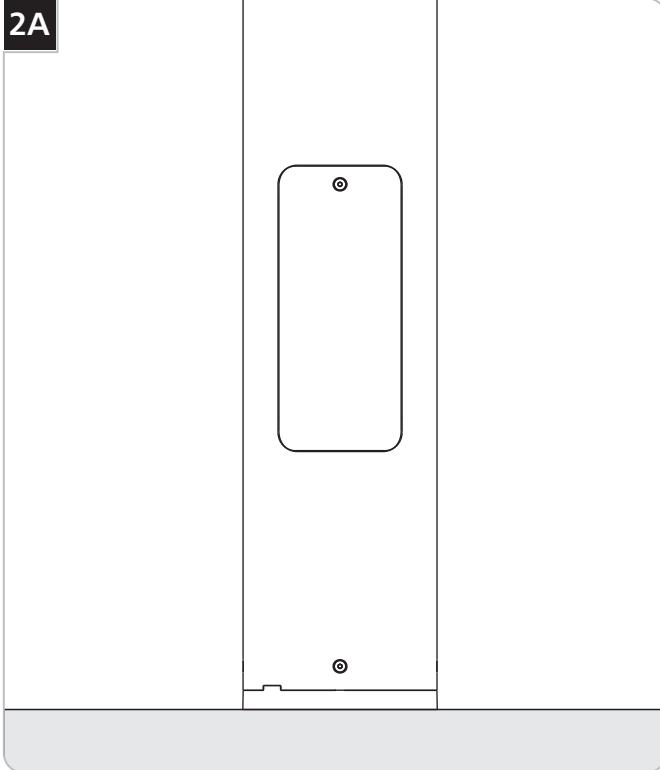


- 4** Align the tab on the column top to the slot in the column base, insert the fixture wires into the column base, and assemble them together.
- 5** Secure them together by tightening all 8 of the set screws with the provided Allen wrench.



6 Carefully install the column assembly onto the base plate and secure it in place by tightening all 4 set screws.

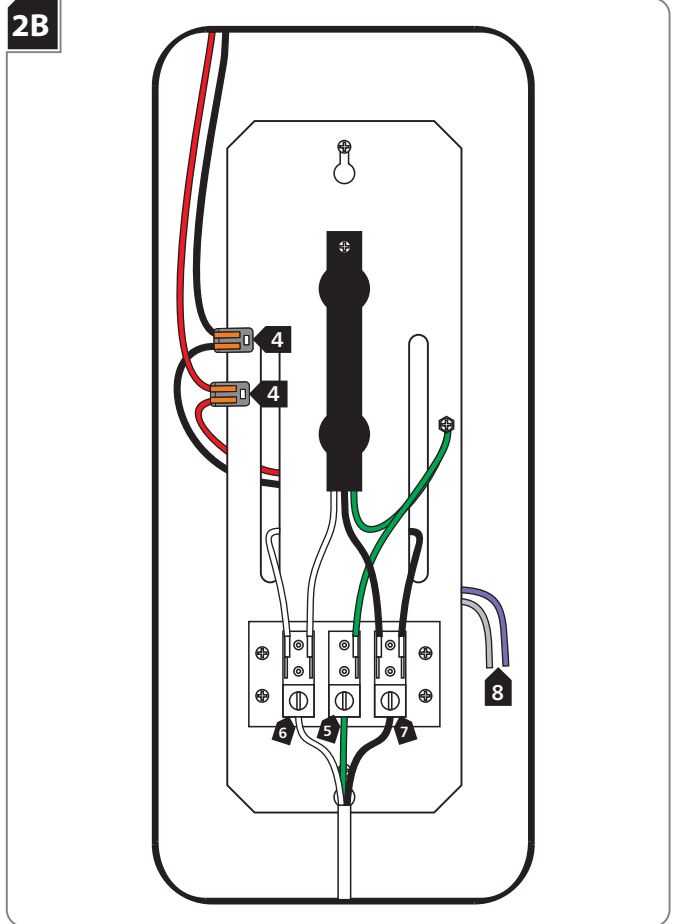
Wire the Column



- 1 Loosen (**Do Not Remove**) the access panel set screw on column base with the provided Allen wrench.
- 2 Pull away the top of the access panel and lift it completely out the column base.
- 3 Power the fixture using the following steps or wiring diagrams according to the options included with the fixture.

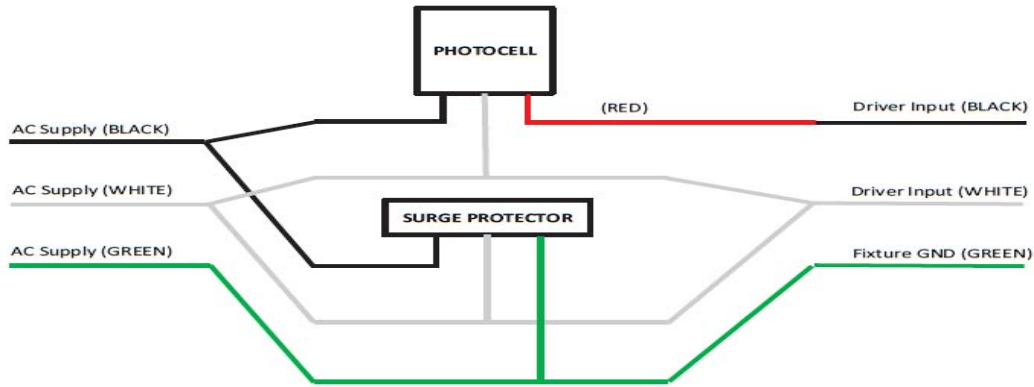


For Standard options, go to step 2B.
For Photocell/Surge options, go to step 2C.
For In-line Fuse/Surge options, go to step 2D.
For Photocell/In-line Fuse/Surge options, go to step 2D.



- 4 Connect the red and black wires from the column top respectively to the red and black wires in the column base by inserting them into an open port in wire connectors. Close the levers to lock the wires in place.
- 5 Connect the fixture to a suitable ground in accordance with local electrical codes.
- 6 Connect the neutral power line wire to terminal block connected to the white wires.
- 7 Connect the hot power line wire to terminal block connected to the black wires.
- 8 Use the gray and purple dimming wires for 0-10v dimming application (if not in use, make sure to cap these wires off).
- 9 Reinstall the access panel (reversal of section 2A).

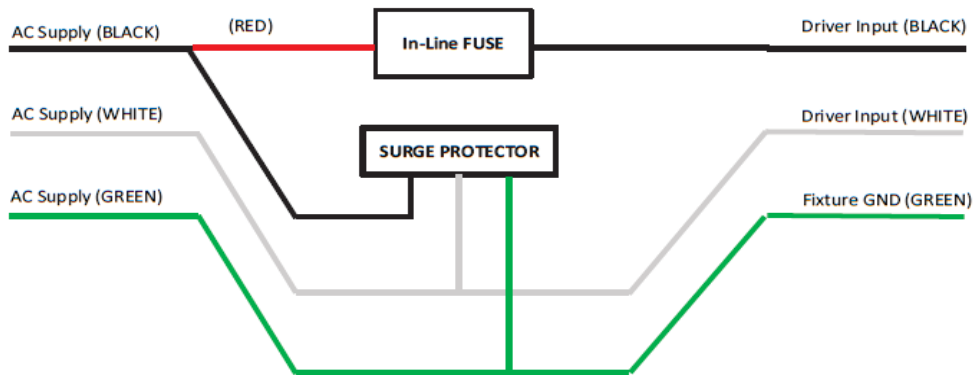
Warning: The purple and gray wires are only used for 0-10v dimming. For all other applications, do not connect the gray and purple wires.

2C

9 Use the gray and purple dimming wires for 0-10v dimming application (if not in use, make sure to cap these wires off).

10 Reinstall the access panel (reversal of section 2A).

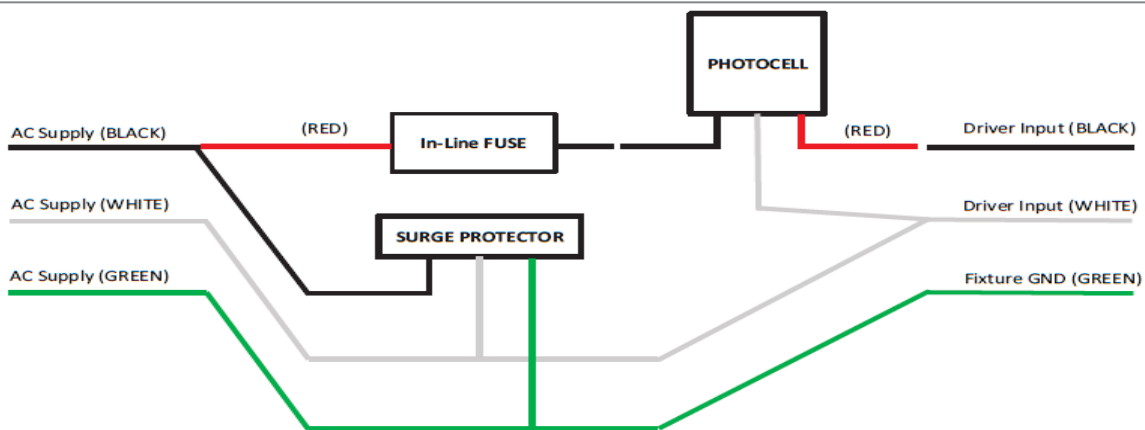
Note for Photocell equipped fixtures: at initial power up, the photocell must calibrate which will cause the fixture to cycle on/off for a moment.

2D

11 Use the gray and purple dimming wires for 0-10v dimming application (if not in use, make sure to cap these wires off).

12 Reinstall the access panel (reversal of section 2A).

Note for In-Line Fuse equipped fixtures: in the case that the fixture is not operating correctly, make sure to check the fuse.

2E

12 Use the gray and purple dimming wires for 0-10v dimming application (if not in use, make sure to cap these wires off).

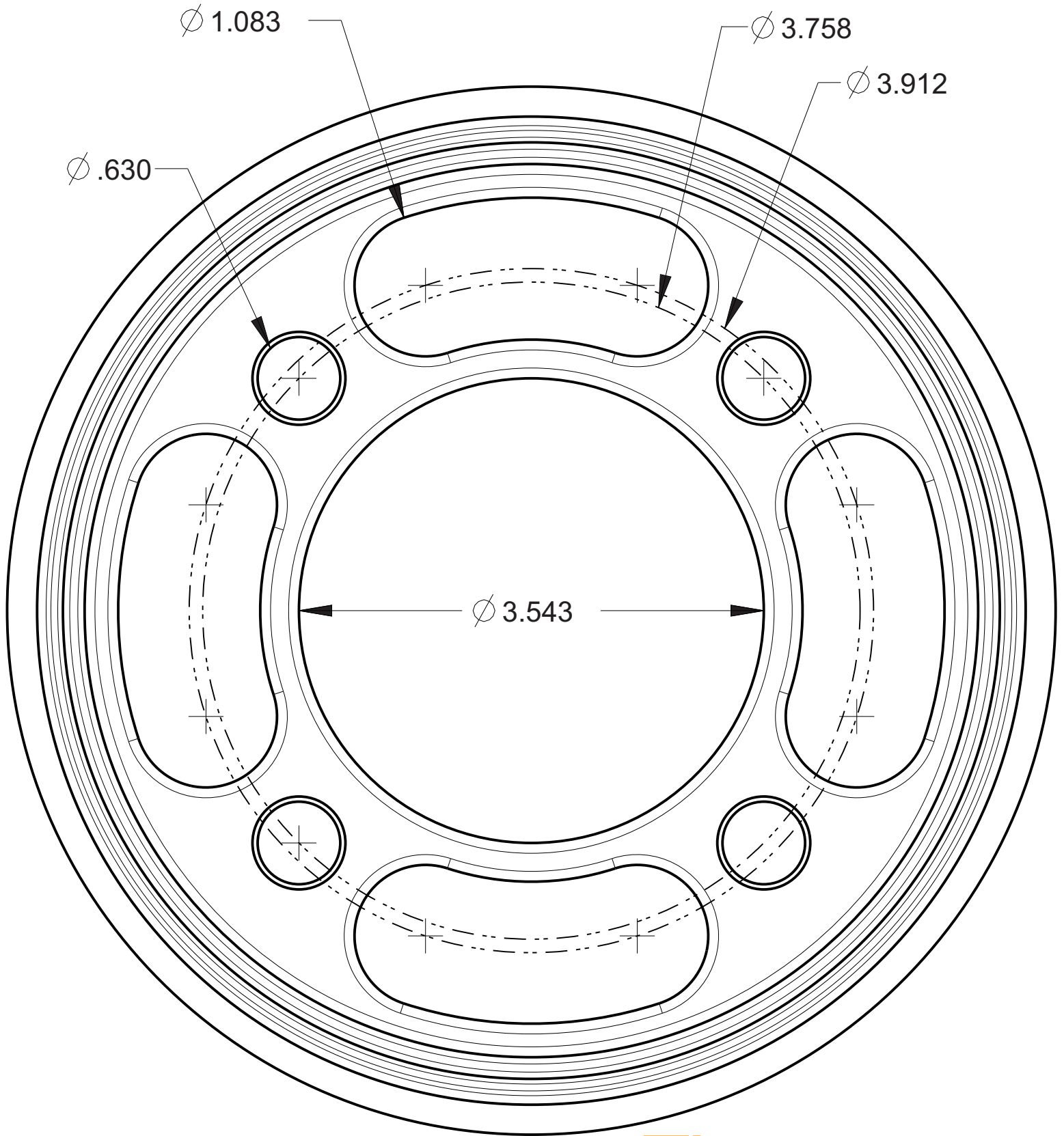
13 Reinstall the access panel (reversal of section 2A).

Note for In-Line Fuse equipped fixtures: in the case that the fixture is not operating correctly, make sure to check the fuse.

Note for Photocell equipped fixtures: at initial power up, the photocell must calibrate which will cause the fixture to cycle on/off for a moment.

TURBO COLUMN MOUNTING PLATE TEMPLATE

WARNING: If printing this template, ensure printer settings are set to actual size.



SAVE THESE INSTRUCTIONS!



TECH LIGHTING®

7400 Linder Ave, Skokie, IL 60077
847.410.4400

www.techlighting.com

© 2017 Tech Lighting, L.L.C. All rights reserved. The "Tech Lighting" graphic is a registered trademark of Tech Lighting, L.L.C. Tech Lighting reserves the right to change specifications for product improvements without notification.
A Generation Brands Company