

# MONORAIL

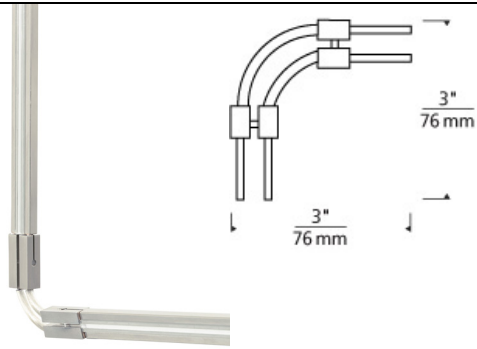
## MonoRail Flexible Vertical Connectors

### DESCRIPTION

These conductive connectors join sections of rail together end to end at desired vertical angle. Pair.

### WEIGHT

0.01lb / 0kg ±



monorail flexible  
vertical  
connectors

### ORDERING INFORMATION

700MOCFXV FINISH

- Z ANTIQUE BRONZE
- S SATIN NICKEL



**TECH LIGHTING®**

7400 Linder Avenue  
Skokie, Illinois 60077

T 847.410.4400  
F 847.410.4500

Tech Lighting, L.L.C.

700MOCFXV \_\_\_\_

FIXTURE TYPE: \_\_\_\_\_

JOB NAME: \_\_\_\_\_

NOTES: \_\_\_\_\_

\_\_\_\_\_

\_\_\_\_\_

\_\_\_\_\_



©2017 Tech Lighting, L.L.C. All Rights Reserved. The "Tech Lighting" graphic is a registered trademark of Tech Lighting, L.L.C. Tech Lighting reserves the right to change specifications for product improvements without notification.