

# Flexible Connectors

700MOCFXH\_

1.7



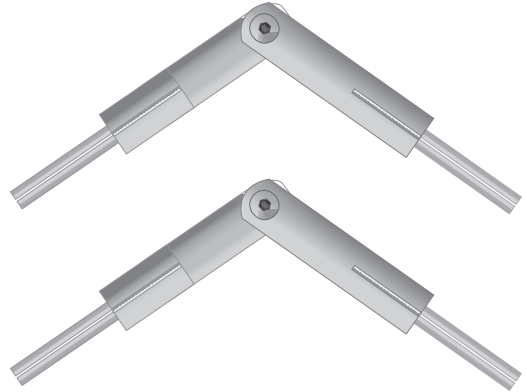
## GENERAL PRODUCT INFORMATION:



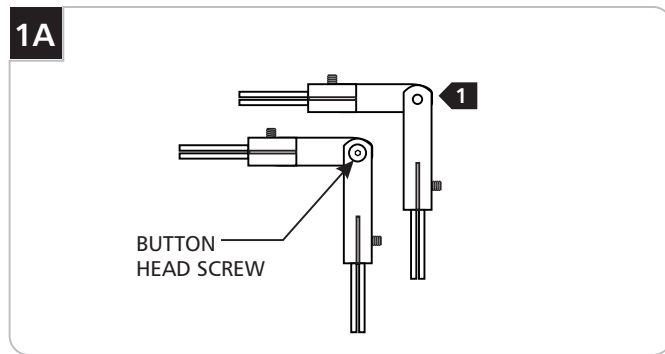
This product is suitable for indoor dry locations only.

This product must be used with Tech Lighting MonoRail system only.

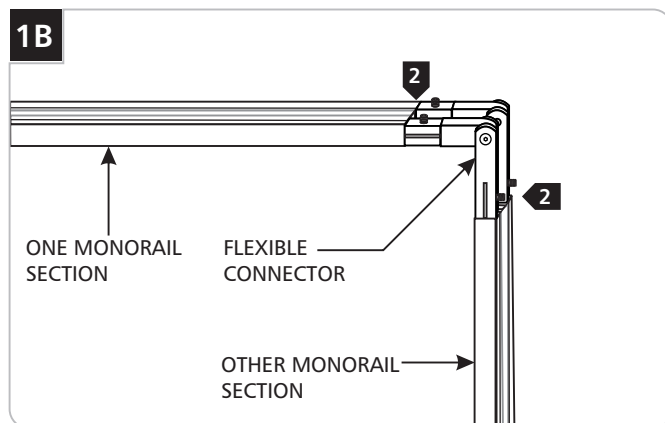
These conductive connectors join two sections of the MonoRail end to end at desired sharp horizontal angle.



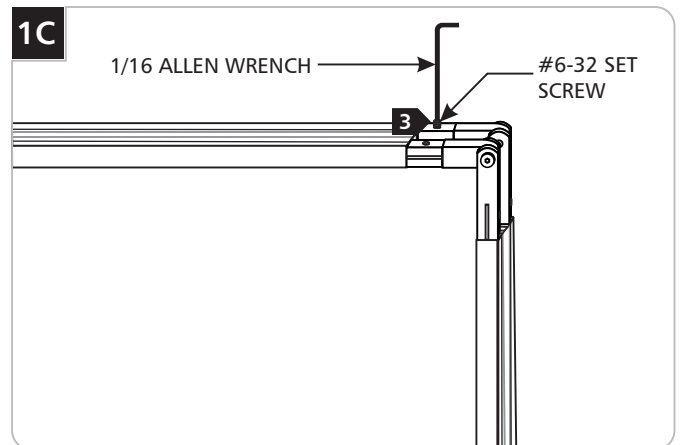
## Install the Flexible Connectors



**1** Bend the two flexible connectors so that the button head screws are exposed toward outside of the bend.



**2** Push the two MonoRail sections completely onto the flexible connectors.



**3** Tighten all four #6-32 set screws with the 1/16 Allen wrench. To avoid heat build up and corrosion, make sure all set screw connections are tight.

**SAVE THESE INSTRUCTIONS!**



7400 Linder Ave, Skokie, IL 60077

847.410.4400

[www.techlighting.com](http://www.techlighting.com)

© 2008 Tech Lighting, L.L.C. All rights reserved. The "Tech Lighting" graphic is a registered trademark of Tech Lighting, L.L.C. Tech Lighting reserves the right to change specifications for product improvements without notification.

A Generation Brands Company