

# Conducting Connectors

1.1

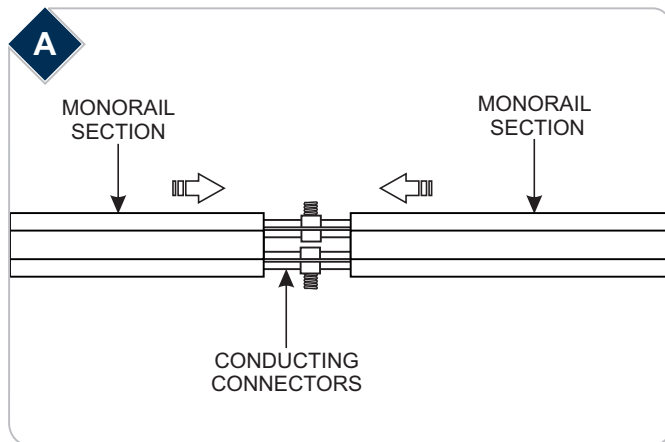
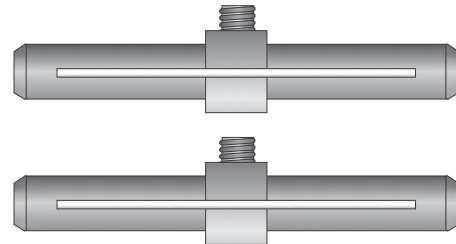


ENCOMPASS LIGHTING GROUP  
CONNECTORS

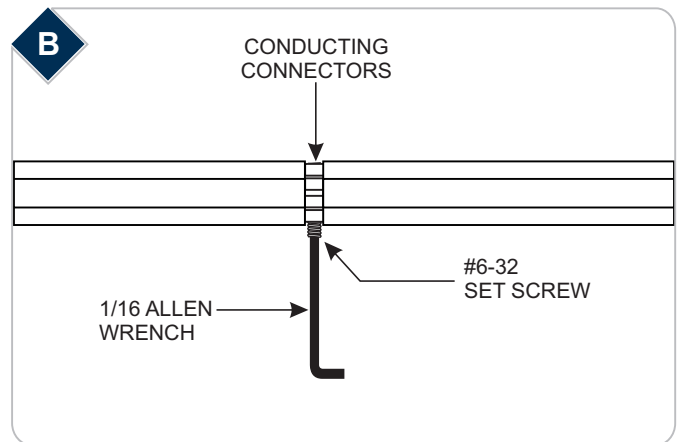
## GENERAL PRODUCT INFORMATION:



This product is suitable for dry locations only.



**1** Push the two MonoRail sections completely onto the conducting connectors.



**2** Tighten the #6-32 set screws firmly with the provided 1/16 Allen wrench. Do not overtighten the set screws or the threads may strip.

**SAVE THESE INSTRUCTIONS!**



ENCOMPASS LIGHTING GROUP

7400 Linder Ave, Skokie, IL 60077

847.410.4400

[www.encompasslighting.com](http://www.encompasslighting.com)

© 2008 Encompass Lighting Group. All rights reserved. The "Encompass Lighting Group" graphic is a registered trademark of Encompass Lighting Group. Encompass Lighting Group reserves the right to change specifications for product improvements without notification.

A Generation Brands Company