

ModernRail Pendant with Remote Transformer

700MDPRMT_ 1.0



GENERAL PRODUCT INFORMATION:

These fixtures are intended to be installed utilizing NEC compliant junction boxes.



This product is dimmable with a low-voltage electronic dimmer.

This product is suitable for dry locations only.

This instruction shows a typical installation.

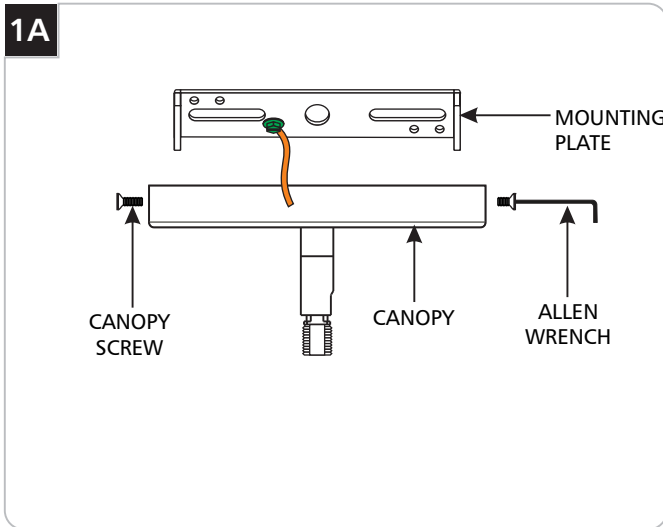
CAUTION - RISK OF FIRE

This product must be installed in accordance with the applicable installation code by a person familiar with the construction and operation of the product and the hazards involved.

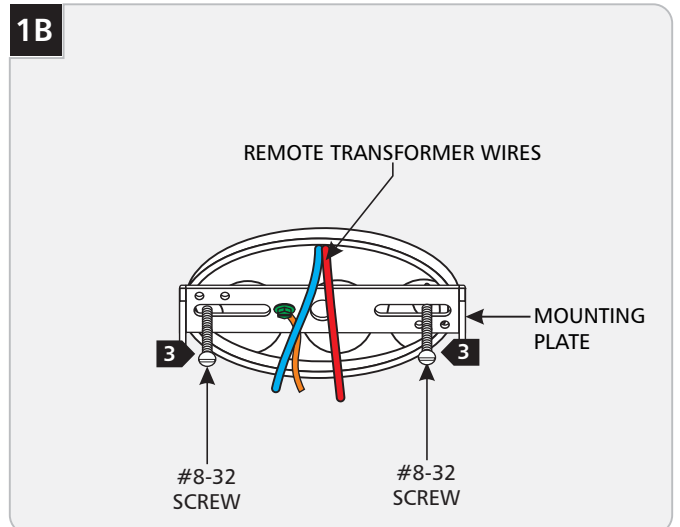
Use minimum 90°C supply conductors.

Two Person Installation Recommended

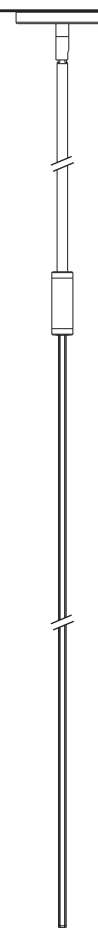
Install the Mounting Plate



- 1 Remove the canopy screws using the provided Allen Wrench.
- 2 Remove the mounting plate from the canopy.

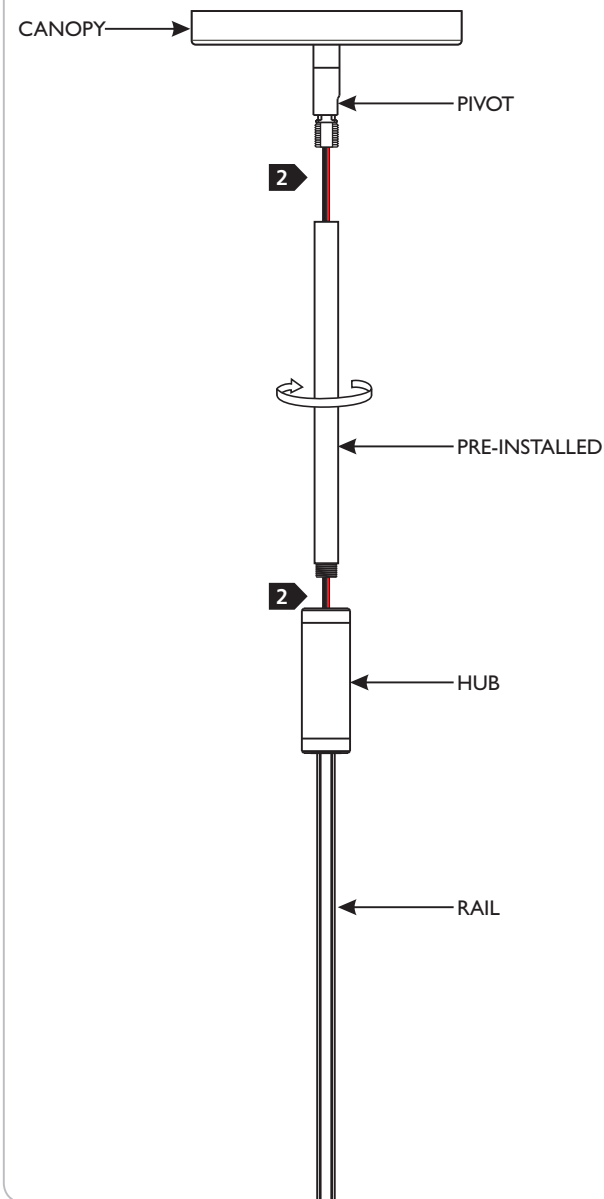


- 3 Use the instructions provided with the remote transformer to bring power to the junction box.
- 4 Secure the mounting plate to the electrical box with the #8-32 screws provided.



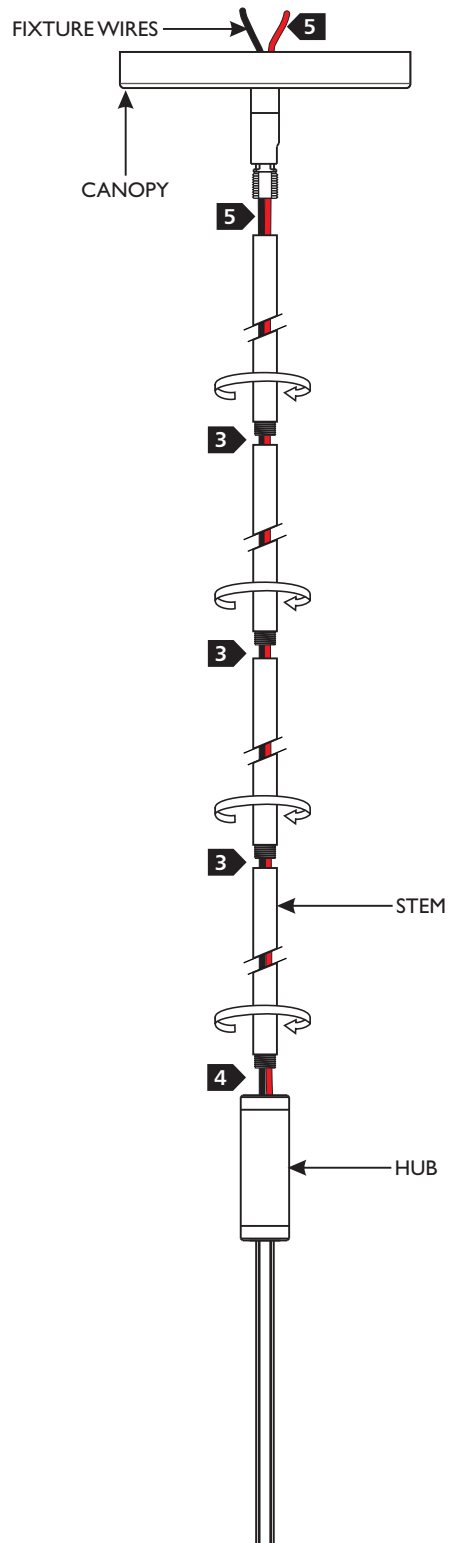
Assemble the Fixture

2A



- 1 This fixture ships with a pre-installed stem. If necessary, the stem may be unscrewed from the hub and/or the pivot, then replaced with another stem length to accommodate the desired height or appearance.
- 2 Plan accordingly and determine the desired height of the fixture using the provided stems.

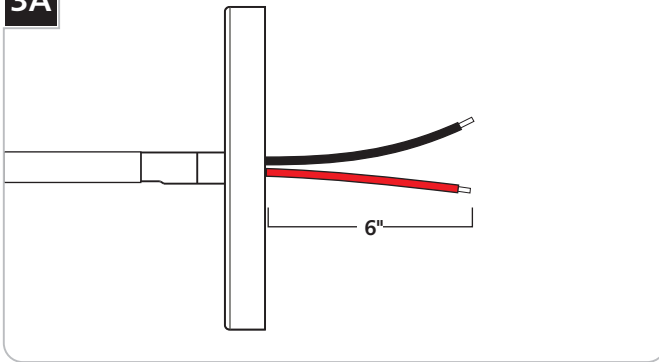
2B



- 3 Once the desired height of the fixture has been determined, assemble the stems by screwing them together.
- 4 Feed the fixture wires through the stem assembly, then screw the stem assembly to the hub.
- 5 Feed the fixture wires through the canopy, then screw the stem assembly to the pivot.

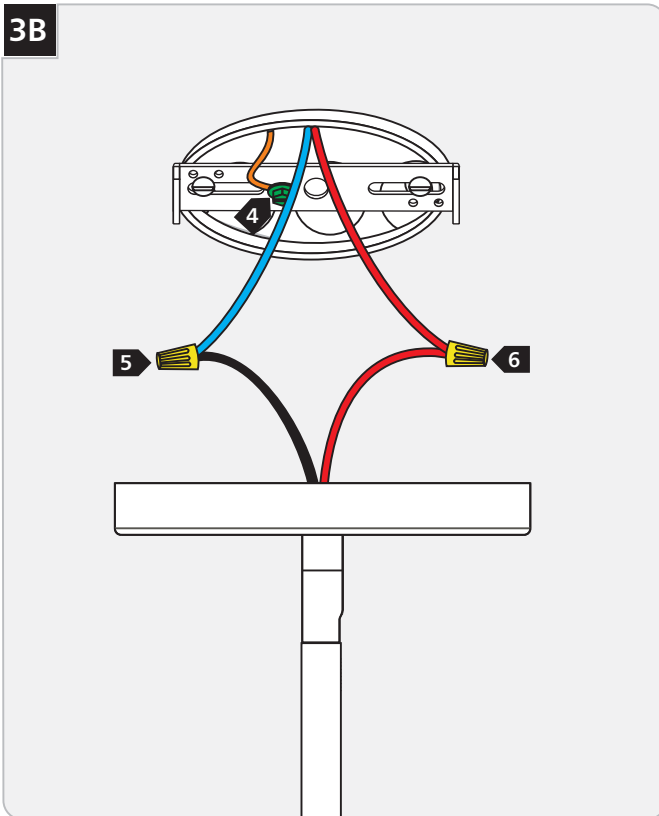
Install the Fixture

3A



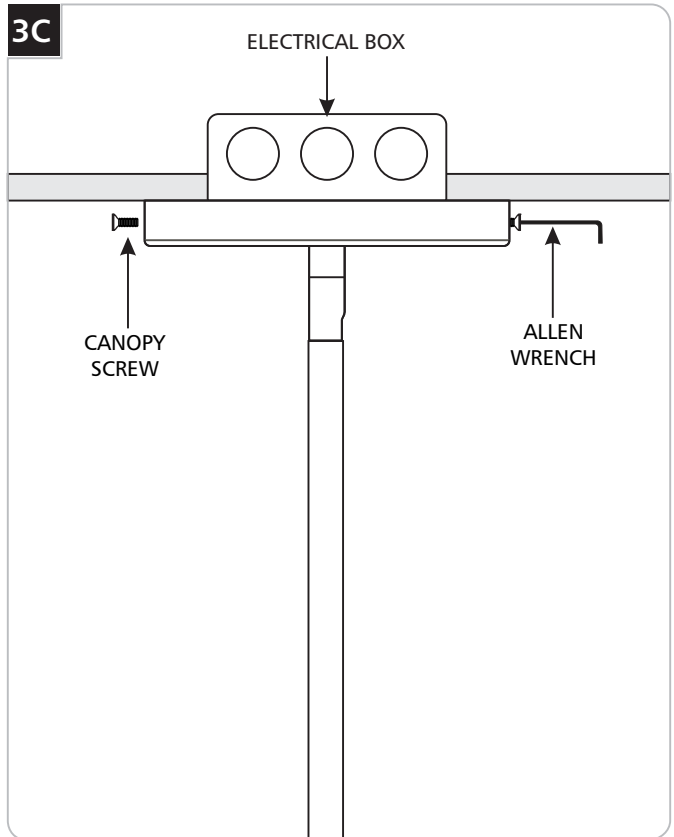
- 1 Leave 6" of the cord behind the canopy for power connections. Cut the excess cord.
- 2 From the end of the cord, strip the insulation 4" using a sharp knife. **Make sure not to nick the inner wires.**
- 3 Strip the end of the wires.

3B



- 4 Connect the fixture to a suitable ground in accordance with local electrical codes.
- 5 Connect the black fixture wire to the blue (-) transformer wire with a wire nut.
- 6 Connect the red fixture wire to the red (+) transformer wire with a wire nut.

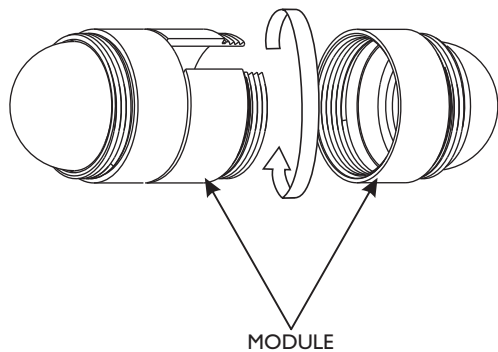
3C



- 7 Neatly place all wires and wire nut connections inside the canopy.
- 8 Align the canopy holes with the mounting plate holes. Secure the canopy in place by tightening the canopy screws using the provided Allen Wrench.
- 9 Adjust the pivot as necessary.
Note: pivot accommodates up to a 45 degree ceiling.

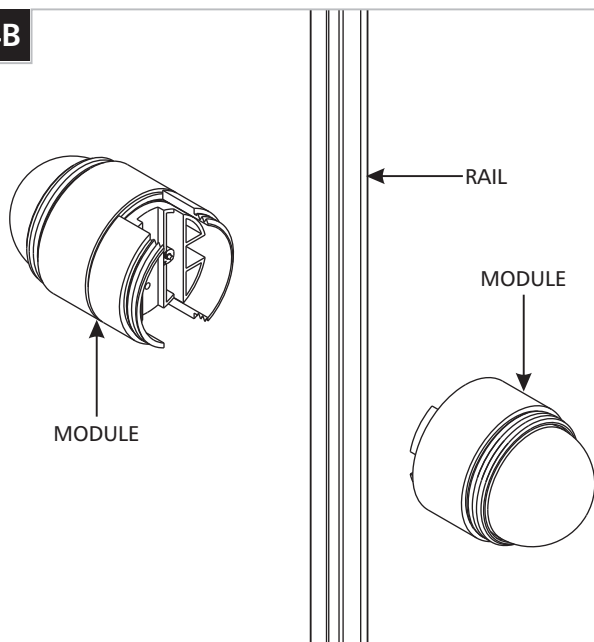
Install the Module and Shade

4A



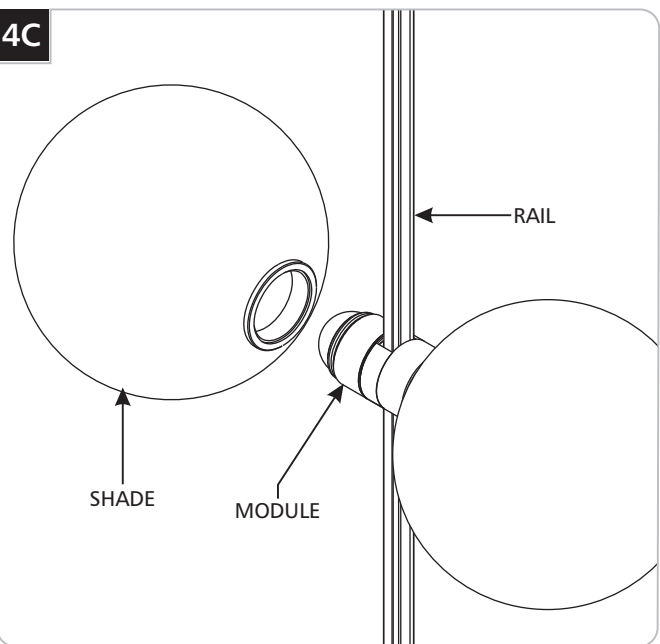
- 1 Separate the two halves of the module by unscrewing them from one another.

4B



- 2 Install the two module halves onto the rail and secure in place by screwing them together. **Make sure to match the polarity markings positive (+) and negative (-) on the rail.**

4C



- 3 Install the shade by screwing it into the base. **Do not over-tighten. A maximum of 4 modules or 32W Max can be installed per rail.**
- 4 Repeat steps 1-3 for remaining modules.

SAVE THESE INSTRUCTIONS!



TECH LIGHTING®

7400 Linder Ave, Skokie, IL 60077

847.410.4400

www.techlighting.com

© 2018 Tech Lighting, L.L.C. All rights reserved. The "Tech Lighting" graphic is a registered trademark of Tech Lighting, L.L.C. Tech Lighting reserves the right to change specifications for product improvements without notification.

A Generation Brands Company