

Wit Linear Suspension

700LSWIT

1.0



GENERAL PRODUCT INFORMATION:

This product is suitable for damp locations.

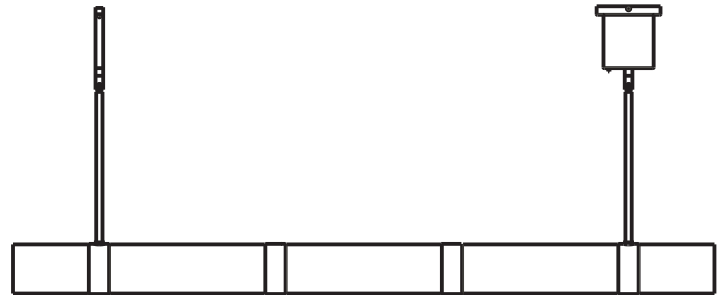
These fixtures are intended to be installed utilizing NEC compliant junction boxes.



This product can be dimmed with most ELV or TRIAC dimmers.

The fixture can be mounted to a ceiling with a 45 degree slope maximum.

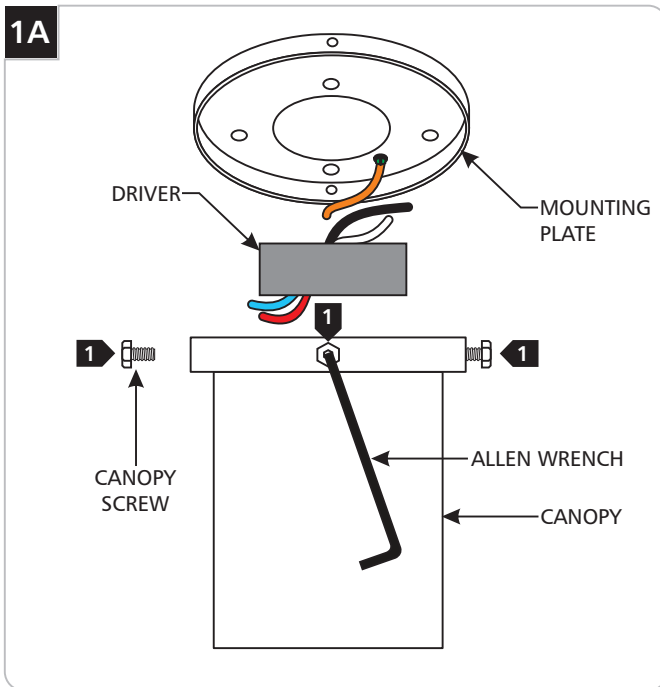
This instruction shows a typical installation.



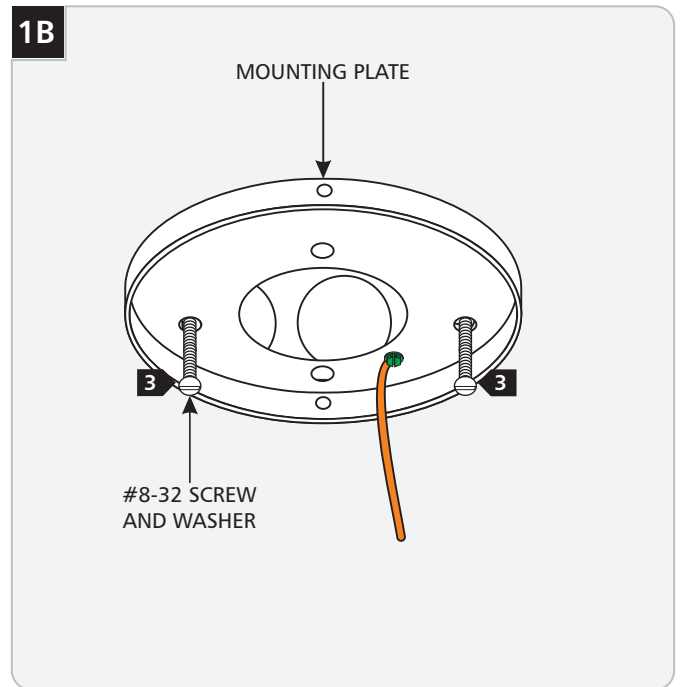
CAUTION - RISK OF FIRE
 This product must be installed in accordance with the applicable installation code by a person familiar with the construction and operation of the product and the hazards involved.
 Use minimum 90°C supply conductors.

Two Person Installation Recommended

Install the Mounting Plate



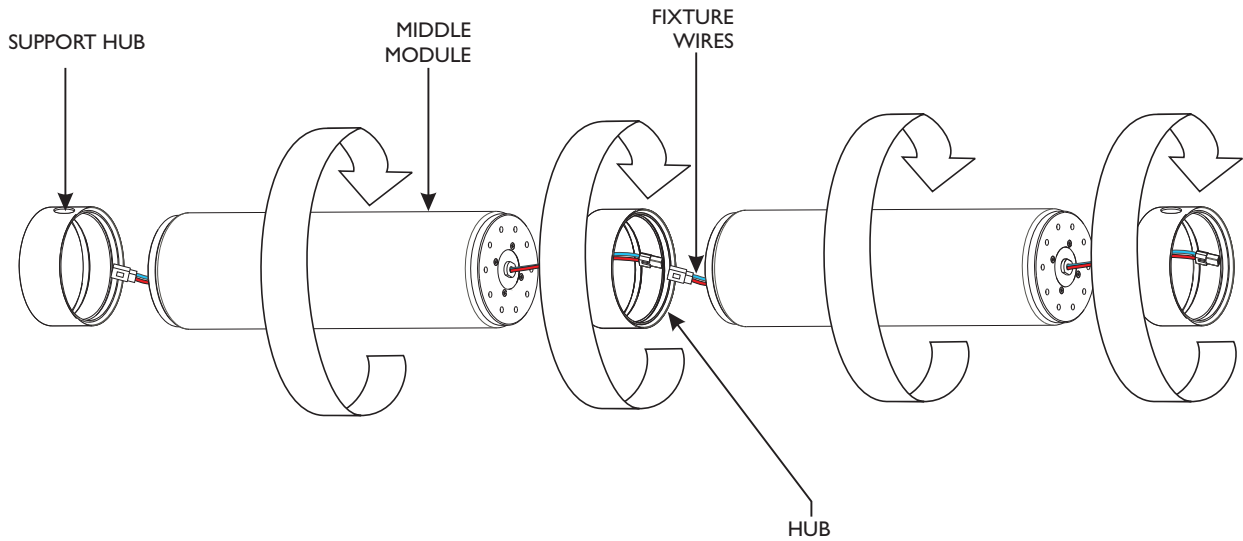
- 1 Remove all the canopy screws using the provided Allen Wrench.
- 2 Remove the mounting plate and driver from the canopy.



- 3 Secure the mounting plate to the electrical box with the #8-32 screws provided.

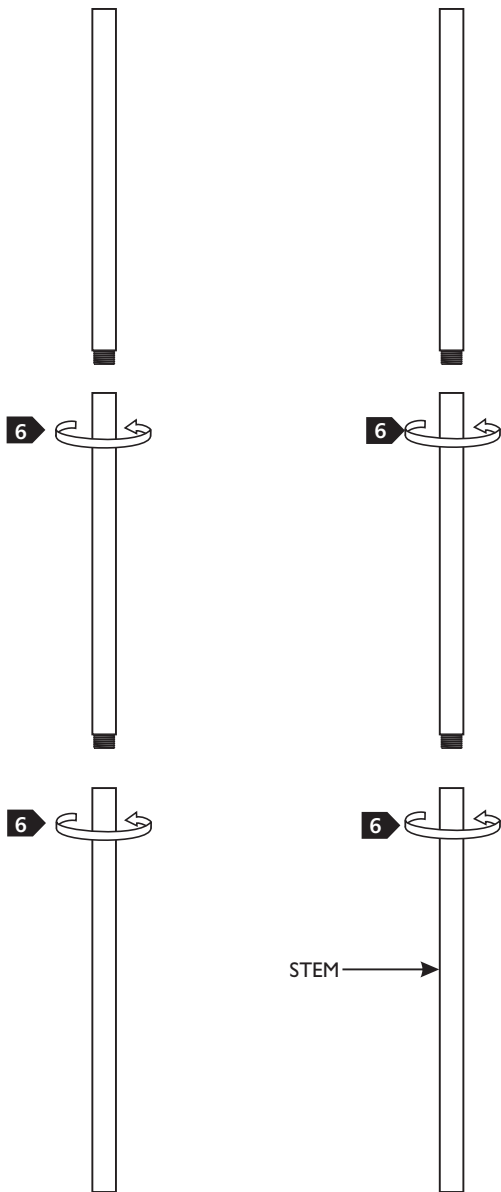
Assemble the Fixture

2A

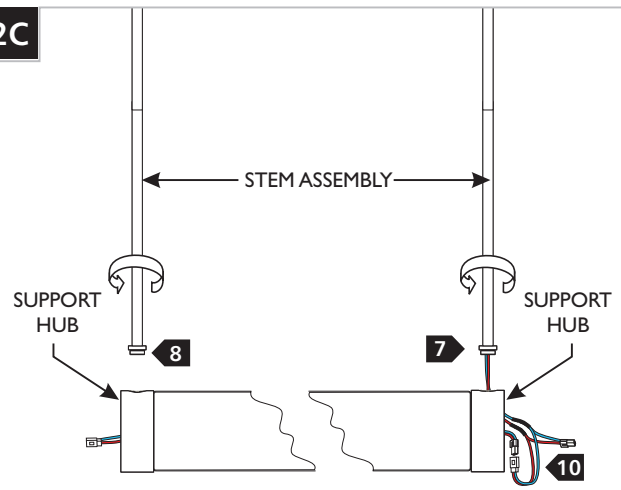


- 1 Screw the first middle module to a support hub (with the side hole) until snug.
- 2 On the other end of that module, feed the wires and connector through a standard hub (no side hole) and tighten the hub to the module until snug.
- 3 Connect the wiring harness, from the first module, to the next middle module by inserting the male connector into the female connector.
- 4 Rotate the middle module counter-clockwise a few turns before tightening to ensure they catch the threads of the hub. This will also counter wind the wiring harness to ensure the wires do not bind.
- 5 Repeat until correct number of middle modules are used. (Depending on the size of fixture, there will be either 2 or 3 modules between the support hubs. The 6 light will have 2 modules between the support hubs, all other size models will have 3.)

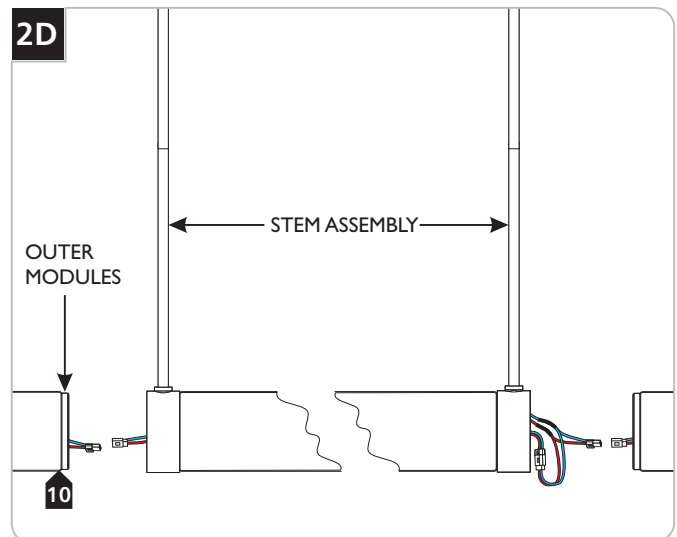
One of the two support hubs may need to be loosened slightly to ensure the holes on each support hub are aligned properly.

2B

- 6** Determine the desired height of the fixture using the provided stems and assemble them by screwing them together.

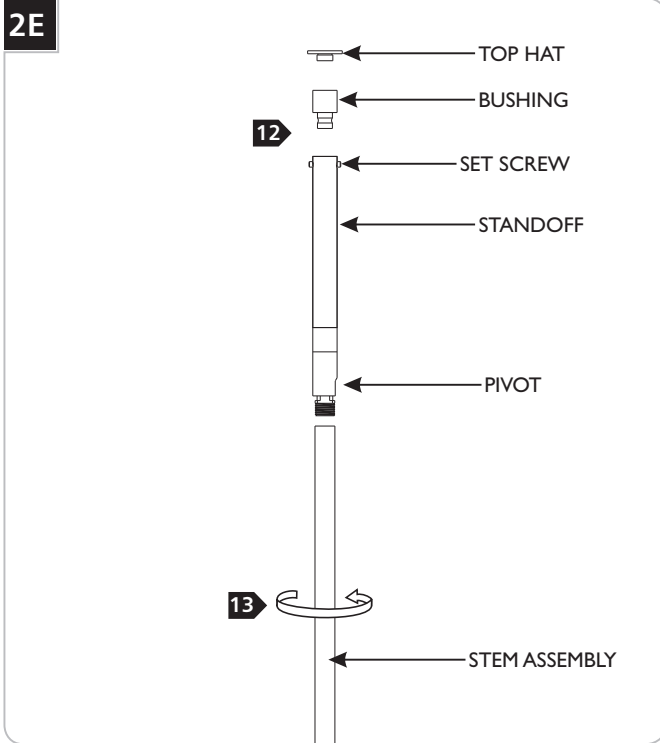
2C

- 7** On the canopy side, feed the wiring harness into the support hub, then screw the stem assembly into the hub.
- 8** On the standoff side screw the stem assembly into the support hub.
- 9** Connect the wiring harness to the main assembly.

2D

- 10** Connect the outer modules to each end in the same manner as the middle modules. Until all modules have been used and balanced on either side of the fixture.
- 11** If necessary ensure the stems are aligned with each other and adjust by unscrewing one of the support hubs slightly until both stems are aligned.

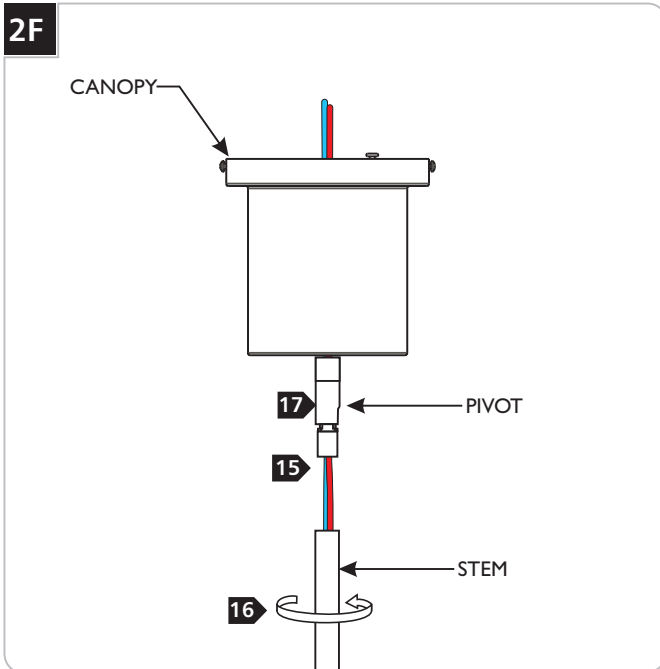
Install the Fixture



12 Remove and save the bushing and top hat from the standoff and pivot by loosening (not removing) the set screws.

13 Screw the stem assembly to the pivot.

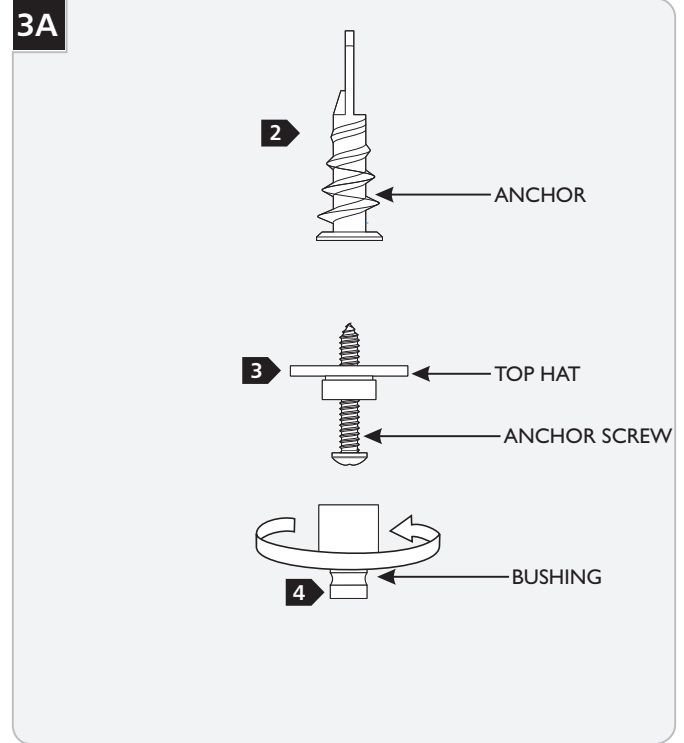
14 Adjust the pivot so it bends in the correct direction to the slope if mounting on a vaulted ceiling.



15 Feed the wires into the canopy.

16 Screw the stem assembly to the pivot.

17 Adjust the pivot so it bends in the correct direction to the slope if mounting on a vaulted ceiling.

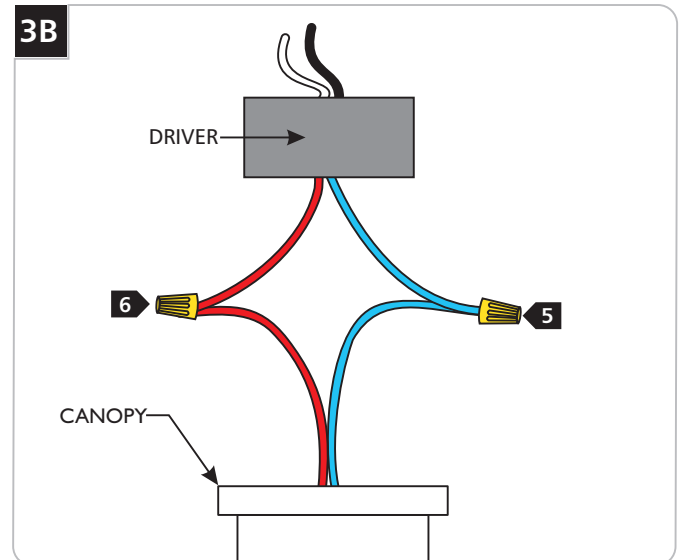


1 Measure the exact distance between the stems (tolerances in the modules may cause slight variations.)

2 Install the anchor at the measured distance from the center of the junction box.

3 Use the anchor screw to secure the top hat in place.

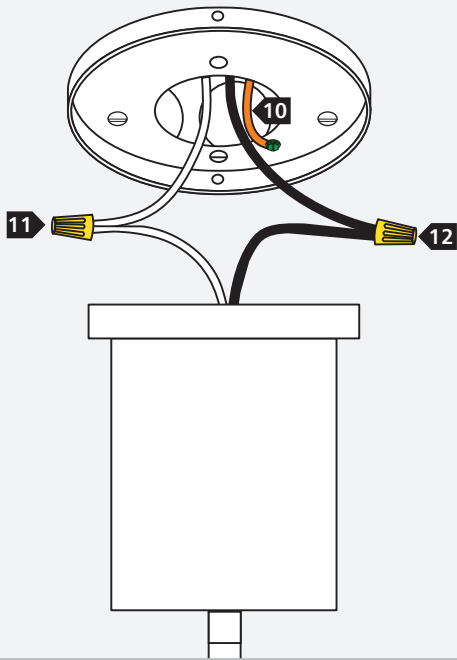
4 Thread the bushing onto the top hat.



5 Connect the blue(-) driver wire to the blue(-) fixture wires with a wire nut.

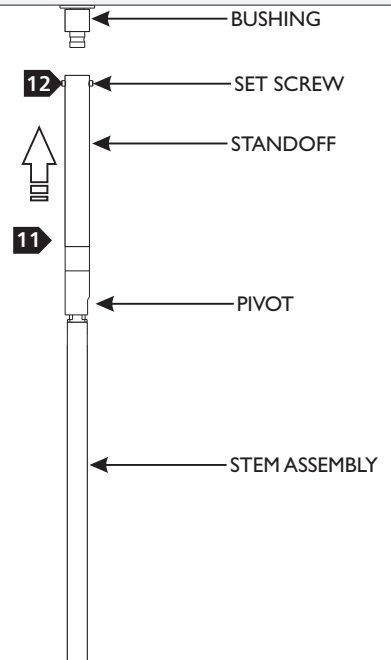
6 Connect the red(+) driver wire to the red(+) fixture wires with a wire nut.

7 Neatly place the driver and wires inside the canopy.

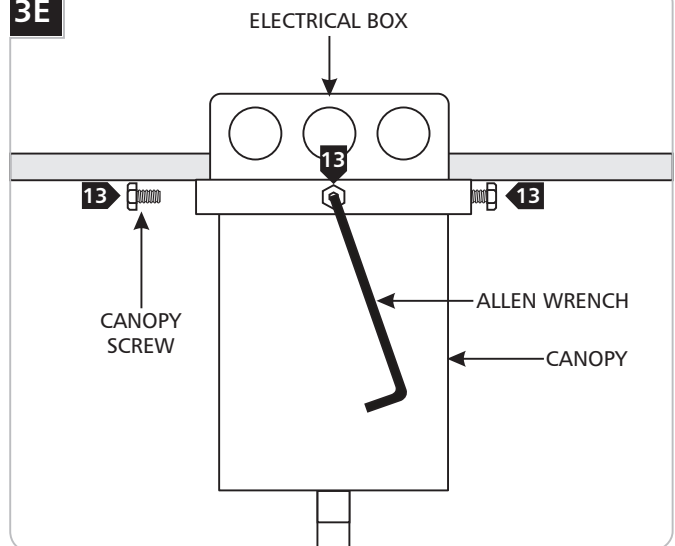
3C

It is recommended to have another person hold the fixture up through out this series of steps.

- 8** While another person holds the fixture, connect the fixture to a suitable ground in accordance with local electrical codes.
- 9** Connect the white driver wire to the neutral power line wire with a wire nut.
- 10** Connect the black driver wire to the hot power line wire with a wire nut.

3D

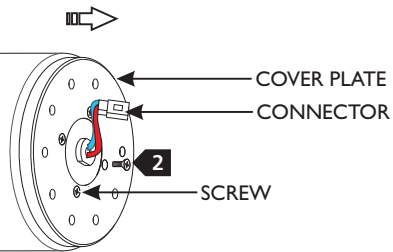
- 11** Lift the stem assembly up to the bushing
- 12** Screw the two set screw into place.

3E

- 13** Neatly place all wires and wire nut connections inside the canopy.
- 14** Align the canopy holes with the mounting plate holes. Secure the canopy in place by tightening the canopy screws using the provided Allen Wrench.

(Optional) Access Inner Modules

4A



Due to ventilation holes in the fixture it is possible that cleaning the interior of the glass modules may be necessary. Please turn off power to the fixture and have an assistant support the fixture to prevent damage during this process.

- 1 Separate the modules by reversing the assembly process for the modules as described in 2A.
- 2 Disconnect the connector from each end and unscrew the four screws on one cover plate.
- 3 Slide the inner module out of the glass to create enough room to clean the glass. Repeat as needed for all modules.
- 4 For reassembly, refer back to step 2A.

Notes:

SAVE THESE INSTRUCTIONS!



7400 Linder Ave, Skokie, IL 60077
847.410.4400

www.techlighting.com

© 2019 Tech Lighting, L.L.C. All rights reserved. The "Tech Lighting" graphic is a registered trademark of Tech Lighting, L.L.C. Tech Lighting reserves the right to change specifications for product improvements without notification.
A Generation Brands Company