

PRODUCT FEATURES

- Creates a visual canopy and brings human scale to spaces with taller ceilings
- This item is made of natural brass. It is a living finish that will patina and warm with age which adds richness. If it gets an uneven patina or spots, a brass cleaner can restore the finish
- Provides up and down light that are powered by two separate drivers. Can be independently used with two switches.
- Includes (8) 6" and (16) 12" rigid stems in coordinating finish.



LAMPING

Includes 140 watts, 10800 total delivered lumens, 2700K LED module. 120V Dimmable with most LED compatible ELV and TRIAC dimmers. 277V dimmable 0-10V dimmers. Ships with (16) 12" and (8) 6" rigid stems in coordinating finish. 120V or 277V. Up and downlight.

Black



Black

Natural Brass

ORDERING INFORMATION

700LSSTG	LENGTH (A)	FINISH	LAMP
	84 84"	NB NATURAL BRASS	-LED927 INTEGRATED LED 90 CRI 2700K 120V
		B NIGHTSHADE BLACK	-LED927-277 INTEGRATED LED 90 CRI 2700K 277V
		PSS POLISHED STAINLESS STEEL	

700LSSTG _____

JOB NAME _____

NOTES _____

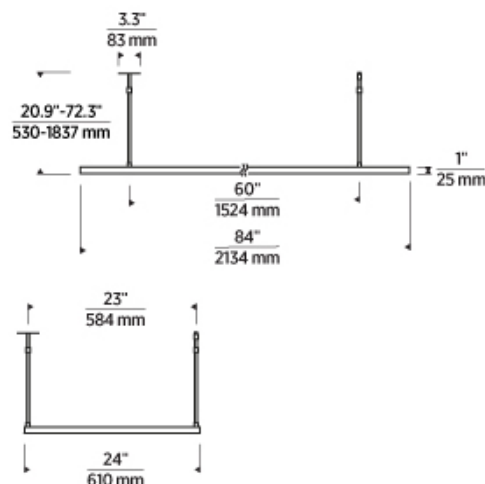


STAGGER HALO 84 LINEAR SUSPENSION

VISUAL COMFORT & Co.

SPECIFICATIONS

PRIMARY MATERIAL	Aluminum, Stainless Steel or Brass
SHADE MATERIAL	Acrylic
NET WEIGHT	38 lbs
HEIGHT	1in
WIDTH	24in
LENGTH	84in
UP LIGHT / DOWN LIGHT / BOTH?	
WET LISTED	
DAMP LISTED	
DRY LISTED	
MIN. HANGING HEIGHT	16.7in
MAX HANGING HEIGHT	72.3in
TOTAL CORD LENGTH	
TOTAL STEM LENGTH	Up to 240in
STEM QTY	24
SLOPED CEILING ADAPTABLE?	No
GENERAL LISTING	ETL Listed
INCLUDES	



LAMPING SPECIFICATIONS

	LED LAMP	INTEGRATED LED	NON LED	NO LAMP
DELIVERED LUMENS		10800		
WATTS		140		
MAX WATTAGE PER BULB		140W		
		120V ELV, TRIAC 277V 0-10V		
CCT		2700K		
CRI		90 CRI		
LED LIFETIME				
L70		>50000		
AVERAGE BULB HOURS				
FIELD SERVICEABLE LED				
LAMP BASE		Integrated LED		
LAMP SHAPE		Integrated LED		
LAMP INCLUDED?		True		
WARRANTY**		5 Years		

* Dimming information available at www.techlighting.com/Downloads#dimming

** Visit techlighting.com for specific warranty limitations and details.

T20 / T24 / JA8 INFORMATION

	Integrated LED	Replacement LED Lamp	No Lamp *
This product can be used to comply with California Building Energy Efficiency Standards 2016 Title 24 Part 6 / JA8.	Yes		
This product can be used to comply with California Appliance Efficiency Standards 2016 Title 20 and may be shipped to and sold in California.	N/A		

* If a light fixture or component does not include a lamp or light source, it is the responsibility of the customer to select a lamp that meets the T24 and T20 requirements.

