

STAGGER HALO 50 LINEAR SUSPENSION

VISUAL COMFORT & Co.

PRODUCT FEATURES

- Creates a visual canopy and brings human scale to spaces with taller ceilings. Works well over tables, kitchen islands, and a host of other applications
- This item is made of natural brass. It is a living finish that will patina and warm with age which adds richness. If it gets an uneven patina or spots, a brass cleaner can restore the finish
- Provides up and down light
- Fully dimmable integrated LED lamp



LAMPING

Includes 74.6 watts, 3128 total delivered lumens, 2700K LED module. Dimmable with most LED compatible ELV, TRIAC and 0-10V dimmers. Ships with (16) 12" and (8) 6" rigid stems in coordinating finish. 120V-277V. Up and downlight.

Black (Lit)



Black (Lit)

Plated Brass (Lit)

ORDERING INFORMATION

700LSSTG	LENGTH (A)	FINISH	LAMP
	50 50"	NB NATURAL BRASS B NIGHTSHADE BLACK PSS POLISHED STAINLESS STEEL	-LED927 INTEGRATED LED 90 CRI 2700K 120V-277V UNV

700LSSTG

JOB NAME

NOTES



© 2019 Tech Lighting, L.L.C. All rights reserved. The "Tech Lighting" graphic is a registered trademark of Tech Lighting, L.L.C. Tech Lighting reserves the right to change specifications for product improvements without notification.

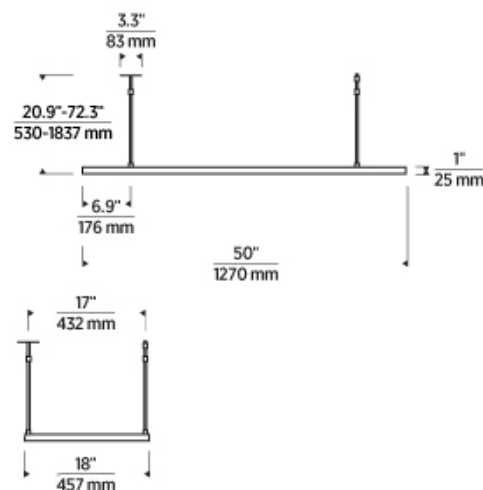
7400 Linder Avenue, Skokie, IL 60077
T 847.410.4400 | F 847.410.4500 | techlighting.com

STAGGER HALO 50 LINEAR SUSPENSION

VISUAL COMFORT & Co.

SPECIFICATIONS

PRIMARY MATERIAL	Aluminum, Stainless Steel or Brass
SHADE MATERIAL	Acrylic
NET WEIGHT	24.5 lbs
HEIGHT	1in
WIDTH	18in
LENGTH	49.5in
UP LIGHT / DOWN LIGHT / BOTH?	
WET LISTED	
DAMP LISTED	
DRY LISTED	
MIN. HANGING HEIGHT	16.7in
MAX HANGING HEIGHT	72.3in
TOTAL CORD LENGTH	
TOTAL STEM LENGTH	Up to 240in
STEM QTY	24
SLOPED CEILING ADAPTABLE?	No
GENERAL LISTING	ETL Listed
INCLUDES	



LAMPING SPECIFICATIONS

	LED LAMP	INTEGRATED LED	NON LED	NO LAMP
DELIVERED LUMENS		3128		
WATTS		74.6		
MAX WATTAGE PER BULB		74.6W		
		Universal 120V-277V 0-10, ELV, TRIAC		
CCT		2700K		
CRI		90 CRI		
LED LIFETIME		>50000		
L70				
AVERAGE BULB HOURS				
FIELD SERVICEABLE LED				
LAMP BASE		Integrated LED		
LAMP SHAPE		Integrated LED		
LAMP INCLUDED?		True		
WARRANTY**		5 Years		

* Dimming information available at www.techlighting.com/Downloads#dimming

** Visit techlighting.com for specific warranty limitations and details.

T20 / T24 / JA8 INFORMATION

	Integrated LED	Replacement LED Lamp	No Lamp *
This product can be used to comply with California Building Energy Efficiency Standards 2016 Title 24 Part 6 / JA8.	Yes		
This product can be used to comply with California Appliance Efficiency Standards 2016 Title 20 and may be shipped to and sold in California.	N/A		

* If a light fixture or component does not include a lamp or light source, it is the responsibility of the customer to select a lamp that meets the T24 and T20 requirements.

