

PONTE 50 LINEAR SUSPENSION

PRODUCT FEATURES

- Contemporary Modern Style
- Inspired by the Ponte Skyscraper in Johannesburg
- Generous in length but minimal in width at only 5 inches wide
- Six evenly spaced light modules
- Protected by a 5-year warranty. Please visit the "About Us" Page on techlighting.com for more for warranty details



LAMPING

Includes 120 or 277 volt 22.7 watt, 1048 delivered lumens, 90 CRI, 3000K LED module. Dimmable with most LED compatible ELV and TRIAC dimmers. 277V compatible with 0-10V dimmers. Includes 12 feet of field-cutttable matte black cable.

Nightshade Black



Nightshade Black

Natural Brass

Nightshade Black
3/4 View

Natural Brass
3/4 View

To view all available finish options, please visit techlighting.com

ORDERING INFORMATION

700LSPNT	LENGTH (A)	FINISH	LAMP
	50 50"	NB NATURAL BRASS	-LED930 INTEGRATED LED 90 CRI 3000K 120V
		B NIGHTSHADE BLACK	-LED930-277 INTEGRATED LED 90 CRI 3000K 277V

700LSPNT _____

JOB NAME _____

NOTES _____

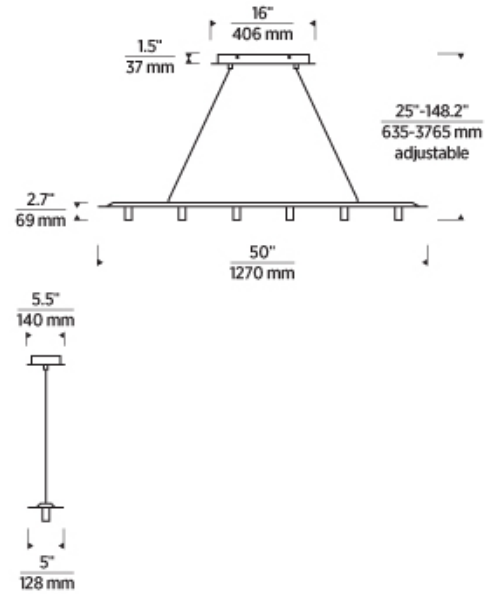


PONTE 50 LINEAR SUSPENSION



SPECIFICATIONS

HARDWARE MATERIAL	Metal
SHADE MATERIAL	Aluminum or Brass
NET WEIGHT	13 lbs
HEIGHT	2.7in
WIDTH	5in
LENGTH	50in
UP LIGHT / DOWN LIGHT / BOTH?	
WET LISTED	
DAMP LISTED	Yes
DRY LISTED	
MIN. HANGING HEIGHT	25in
MAX HANGING HEIGHT	148.2in
TOTAL CORD LENGTH	144in
TOTAL STEM LENGTH	
STEM QTY	
SLOPED CEILING ADAPTABLE?	Yes 45° Max
GENERAL LISTING	ETL Listed
INCLUDES	



LAMPING SPECIFICATIONS

	LED LAMP	INTEGRATED LED	NON LED	NO LAMP
DELIVERED LUMENS		1048		
WATTS		22.7		
MAX WATTAGE PER BULB		22.7W		
INPUT VOLTAGE		120V 277V		
DIMMING TYPE*		ELV, TRIAC 0-10V		
CCT		3000K		
CRI		90 CRI		
LED LIFETIME		>50000		
L70				
AVERAGE BULB HOURS				
FIELD SERVICEABLE LED				
LAMP BASE		Integrated LED		
LAMP SHAPE		Integrated LED		
LAMP INCLUDED?		Y		
WARRANTY**		5 Years		

* Dimming information available at www.techlighting.com/Downloads#dimming

** Visit techlighting.com for specific warranty limitations and details.

T20 / T24 INFORMATION

	Integrated LED	Replacement LED Lamp	No Lamp *
This product can be used to comply with California Building Energy Efficiency Standards 2016 Title 24 Part 6.	Yes		
This product can be used to comply with California Appliance Efficiency Standards 2016 Title 20 and may be shipped to and sold in California.	N/A		

* If a light fixture or component does not include a lamp or light source, it is the responsibility of the customer to select a lamp that meets the T24 and T20 requirements.

