

Rigid T Standoff

700KTSO_ 1.7

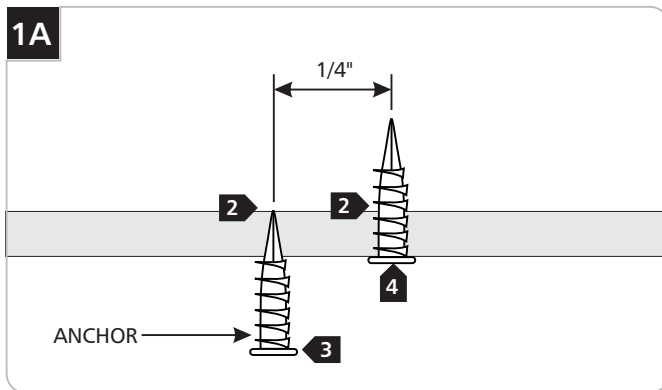
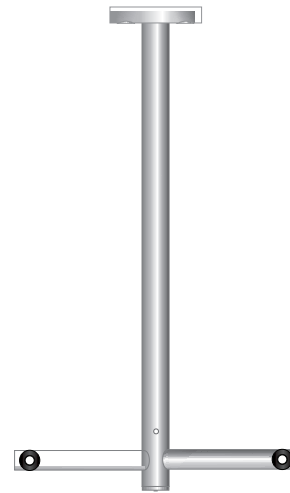


GENERAL PRODUCT INFORMATION:

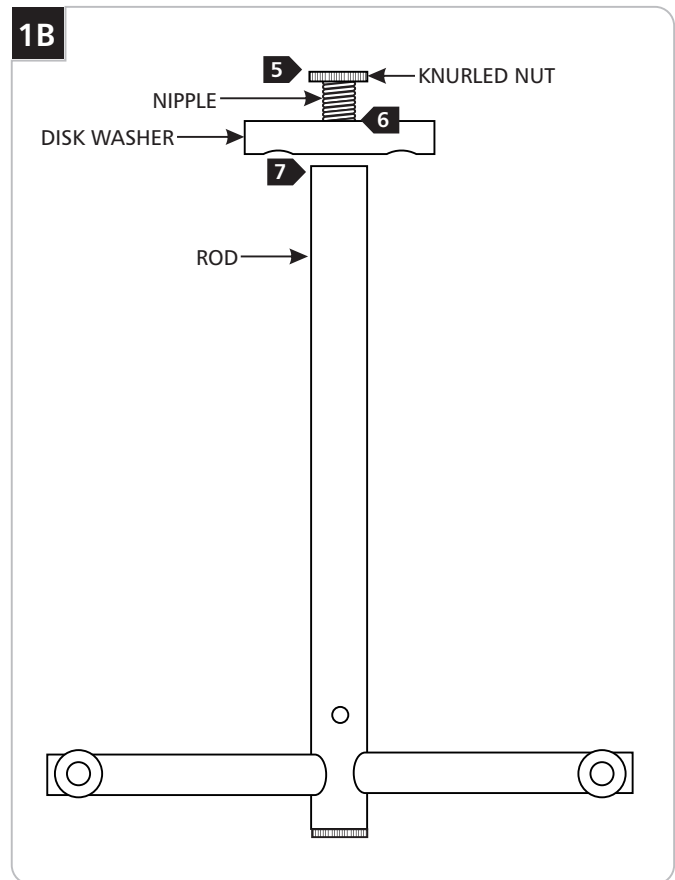


This product is suitable for indoor dry locations only.

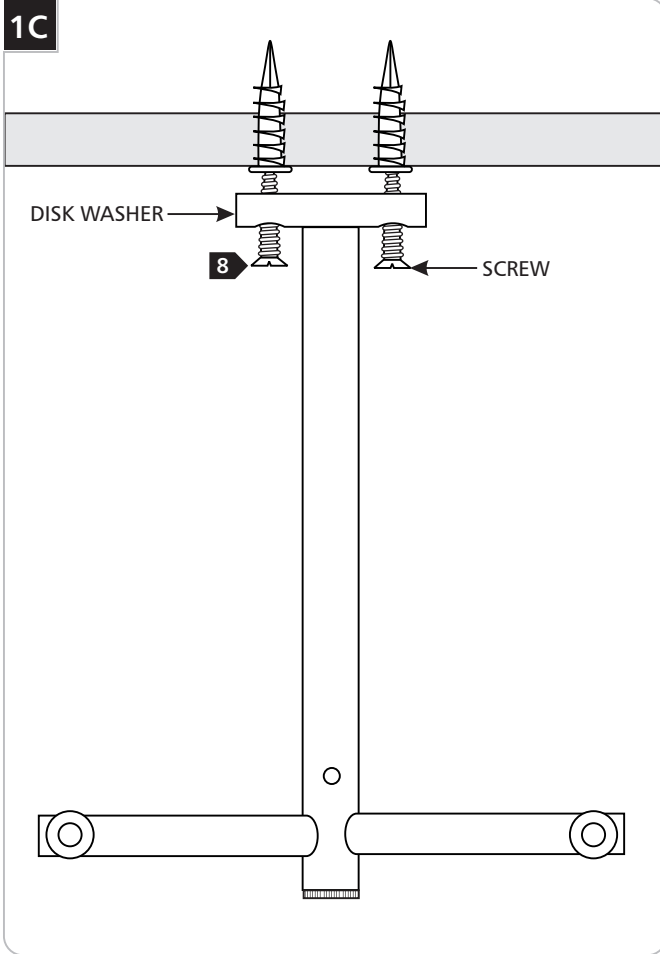
This product is for ceiling mount only and must be mounted in the center, between the Kable Lite cables.



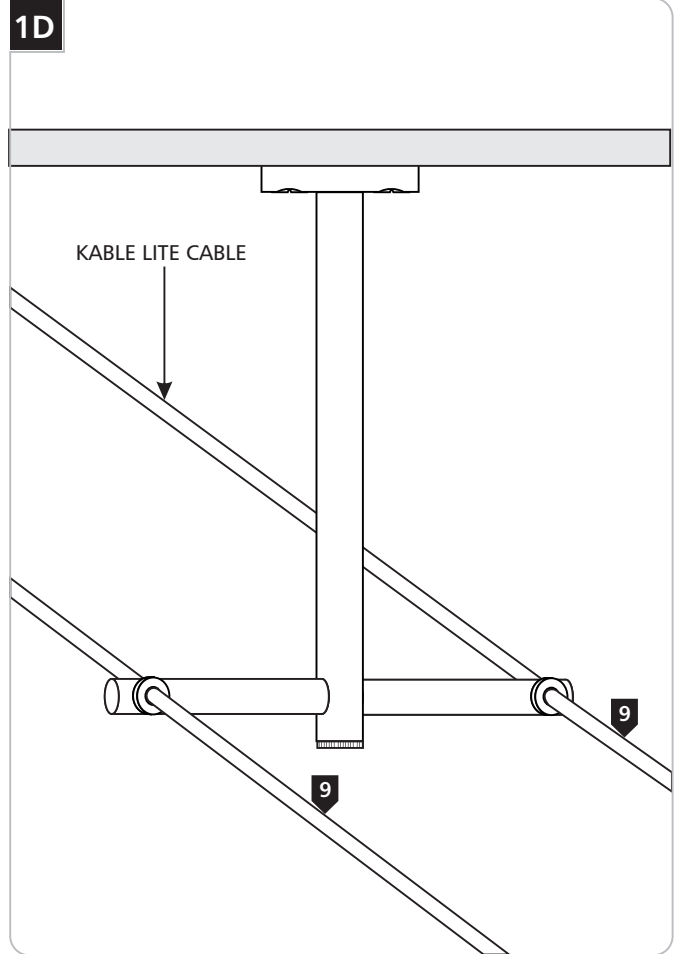
- 1 Select the location on the ceiling where the standoff is to be mounted.
- 2 Mark the two point on the ceiling 1-1/4" apart for the anchors.
- 3 Tap the anchors at the marked points into the ceiling.
- 4 Screw the anchors in the rest of the way with a Phillips screwdriver.



- 5 Screw the knurled nut to the 1/8" threaded nipple. Make sure that the end of the nipple is flush with the top edge of the knurled nut.
- 6 Place the 1/8" nipple through the center countersunk hole of the disk washer.
- 7 Tighten the rod completely onto the nipple.



8 Secure the standoff by screwing the disk washer to the anchor with the provided two #8 screws.



9 Run the Kable Lite cables coming from the turnbuckles through the bushings on the separation bar for all standoffs used in the run.

SAVE THESE INSTRUCTIONS!



TECH LIGHTING®

7400 Linder Ave, Skokie, IL 60077

847.410.4400

www.techlighting.com

© 2008 Tech Lighting, L.L.C. All rights reserved. The "Tech Lighting" graphic is a registered trademark of Tech Lighting, L.L.C. Tech Lighting reserves the right to change specifications for product improvements without notification.

A Generation Brands Company