

# 1" Rigid Post Standoff

700KS001\_

1.6

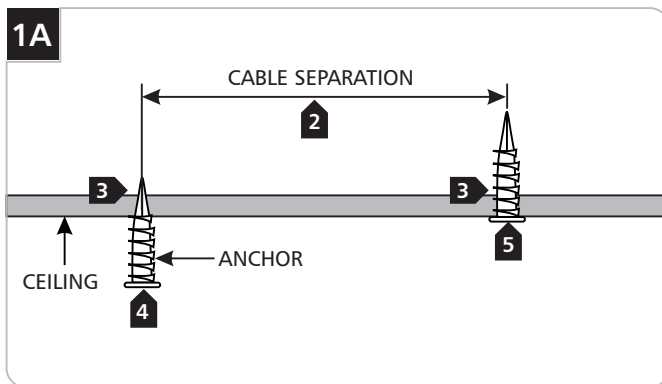
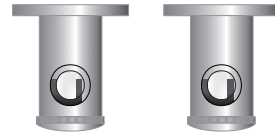


## GENERAL PRODUCT INFORMATION:

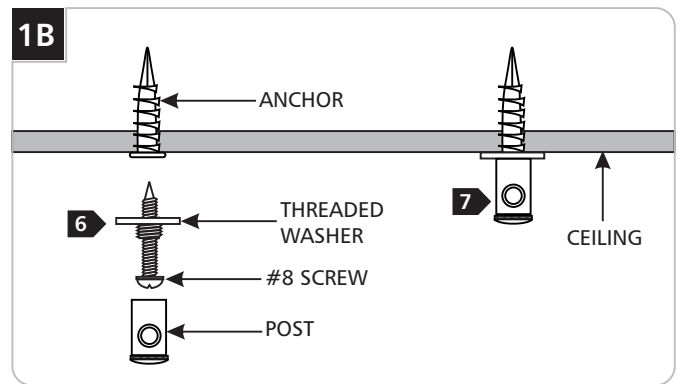


This product is suitable for indoor dry locations only.

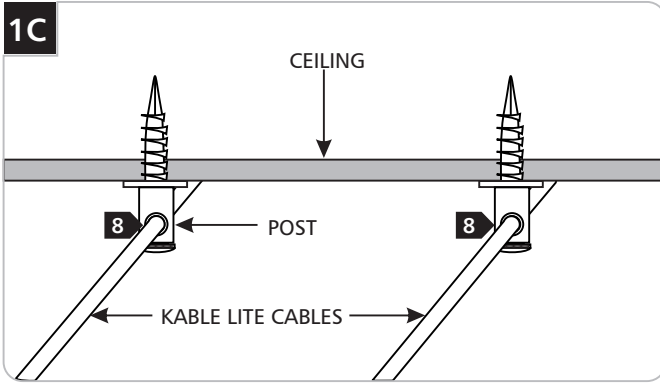
This product should be used with Tech Lighting Kable Lite system only.



- 1** Determine the location of the standoff.
- 2** Determine the Kable Lite cable separation.
- 3** Mark the two Kable Lite cable separation points on the ceiling.
- 4** With a hammer tap the two anchors at the marked points up to the threaded portion into the ceiling.
- 5** Screw the anchors in the rest of the way with a Phillips screwdriver.



- 6** Place the #8 screws through the threaded washers. Screw the #8 screws into the anchors.
- 7** Screw the posts onto the threaded washers.



- 8** Feed the Kable Lite cables coming from one set of turnbuckles through the posts to the other set of turnbuckles.

**SAVE THESE INSTRUCTIONS!**



**TECH LIGHTING®**

7400 Linder Ave, Skokie, IL 60077

847.410.4400

[www.techlighting.com](http://www.techlighting.com)

© 2008 Tech Lighting, L.L.C. All rights reserved. The "Tech Lighting" graphic is a registered trademark of Tech Lighting, L.L.C. Tech Lighting reserves the right to change specifications for product improvements without notification.

A Generation Brands Company