

Interlace 18 Suspension

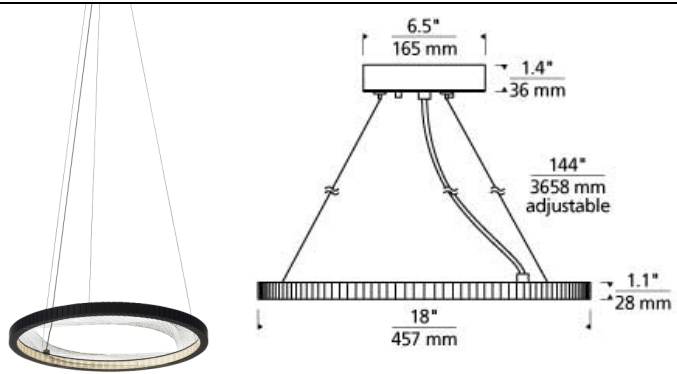
LED T20

DESCRIPTION

An 18-inch aluminum outer ring is machined to receive hundreds of hand-strung strands of stainless steel cable which create an intricate, interwoven pattern. Powerful LEDs shine inward upon the reflective cables to create visually interesting general illumination. Independent suspension cables allow multiple hanging angles. Includes 28 watt 1300 delivered lumens, 2700K, 80 CRI LED module. Dimmable with most LED compatible ELV and TRIAC dimmers. 277V compatible with 0-10V dimmers. Includes 12 feet of field-cuttable aircraft cable to match finish selection.

WEIGHT

4-4.5lb / 1.81-2.04kg ±



black

satn nickel

ORDERING INFORMATION

700INT18 FINISH

LAMP

- B BLACK
- S SATIN NICKEL

- LED827 INTEGRATED LED 80 CRI 2700K 120V
- LED827-277 INTEGRATED LED 80 CRI 2700K 277V



TECH LIGHTING®

7400 Linder Avenue
Skokie, Illinois 60077

T 847.410.4400
F 847.410.4500

Tech Lighting, L.L.C.

700 INT18 _____

FIXTURE TYPE: _____

JOB NAME: _____

NOTES: _____



©2019 Tech Lighting, L.L.C. All Rights Reserved. The "Tech Lighting" graphic is a registered trademark of Tech Lighting, L.L.C. Tech Lighting reserves the right to change specifications for product improvements without notification.