

LOW - VOLTAGE PENDANTS

Revel Pendant

DESCRIPTION

Captures light in motion. The sleek metal surface is laser-cut with several horizontal cutouts which allow light to shine through the inner white case glass diffuser. Includes low-voltage, 50 watt halogen bi-pin lamp or 8 watt replaceable 500 lumen 80 CRI 3000K LED SORAA® module and six feet of field-cutable suspension cable. Works with SORAA.

INSTALLATION

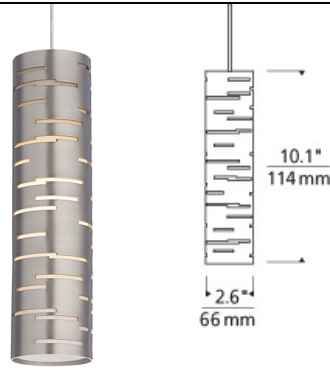
Socket terminates with FreeJack male connector, which may be installed into a system connector. Elements ordered with a system prefix include a connector for that system.

ACCESSORIES & OPTICAL CONTROLS

SORAA® LED Bi-Pin Replacement Pendant Module, Swag Hook

WEIGHT

2.39lb / 1.08kg ±



gloss black



antique bronze gloss black gloss white satin nickel

ORDERING INFORMATION

700	SYSTEM	RVL	COLOR	FINISH	LAMP
FJ	FREEJACK		Z ANTIQUE BRONZE	Z ANTIQUE BRONZE	12 VOLT HALOGEN
MP	MONOPOINT		B GLOSS BLACK	S SATIN NICKEL	-LEDS830 12 VOLT LED 80 CRI 3000K
MO	MONORAIL		W GLOSS WHITE		-24 24 VOLT HALOGEN
MO2	TWO-CIRCUIT MONORAIL		S SATIN NICKEL		

Note: MP includes 4" Round Flush Canopy and is available in 120v only (for 277v order as FJ).

When installing LED option on MO2 only magnetic transformers may be used.



TECH LIGHTING®
 7400 Linder Avenue T 847.410.4400
 Skokie, Illinois 60077 F 847.410.4500

Tech Lighting, L.L.C.

700 ____ RVL ____

FIXTURE TYPE: _____

JOB NAME: _____

NOTES: _____
