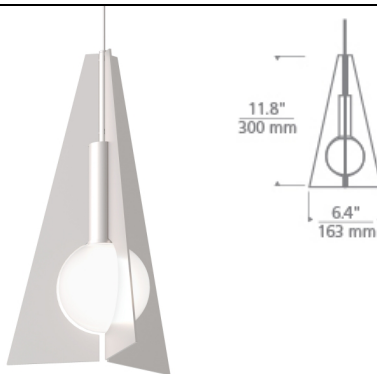


## Mini Orbel Pyramid Pendant LED

### DESCRIPTION

The Mini Orbel Pyramid Pendant by Tech Lighting is inspired by Mid-Century modern art with contrasting geometric shapes and a frosted LED globe. The Mini Orbel Pyramid features triangular fins that encompass a frosted sphere of light. Designed at a smaller scale of 6.4 inches wide, the Mini Orbel is offered in three modern finishes, Matte Black, Satin Nickel and Natural Brass that will patina over time. The Mini Orbel Collection is great to install as a single fixture or in multiples with other designs. Complete the look with other fixtures from the same collection, Mini Orbel Round and Orbel Line-Voltage Pendants. Includes 12 volt 6 watt 225 delivered lumen, 3000K, 90 CRI, LED module. Dimmable with low-voltage or magnetic dimmer (based on transformer). Includes 6 feet of field-cuttable cable. Matte Black finish supplied with bronze cable. Brass and Satin Nickel finish supplied with satin cable.



### INSTALLATION

Socket terminates with FreeJack male connector, which may be installed into a system connector. Elements ordered with a system prefix include a connector for that system.

### WEIGHT

2.5-2.5lb / 1.13-1.13kg ±



nightshade black

natural brass

satin nickel

satin nickel 3/4 view

### ORDERING INFORMATION

700	SYSTEM	OBLP	FINISH	LAMP
FJ	FREEJACK		NB NATURAL BRASS	-LED930 INTEGRATED LED 90 CRI 3000K 12V
MP	MONOPOINT		B NIGHTSHADE BLACK	
MO	MONORAIL		S SATIN NICKEL	

Note. Note. MP includes 4" Round Flush Canopy.



700

FIXTURE:

TYPE:

JOB NAME:

NOTES:



©2020 Tech Lighting, L.L.C. All Rights Reserved. The "Tech Lighting" graphic is a registered trademark of Tech Lighting, L.L.C. Tech Lighting reserves the right to change specifications for product improvements without notification.