

Firefrost & Firefrit

700FJFIRF_

1.9



GENERAL PRODUCT INFORMATION:

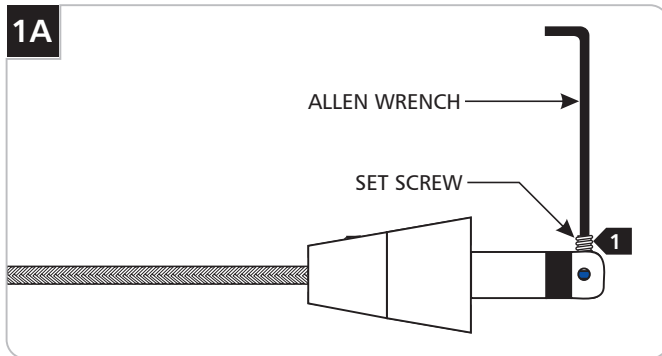


This product is ETL listed and suitable only for indoor dry locations and approved for use at any height above the finished floor.

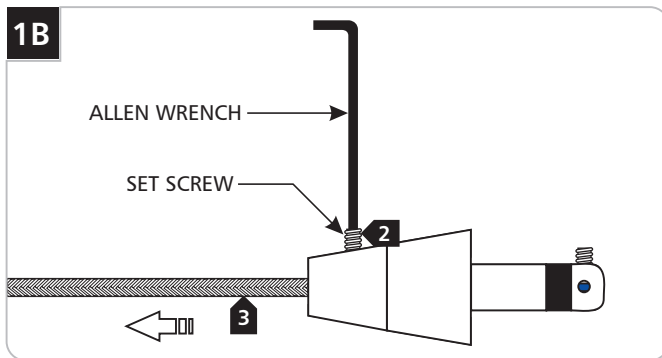
This product is patented (U.S. PAT. 6,183,297).



Adjust The Fixture Height

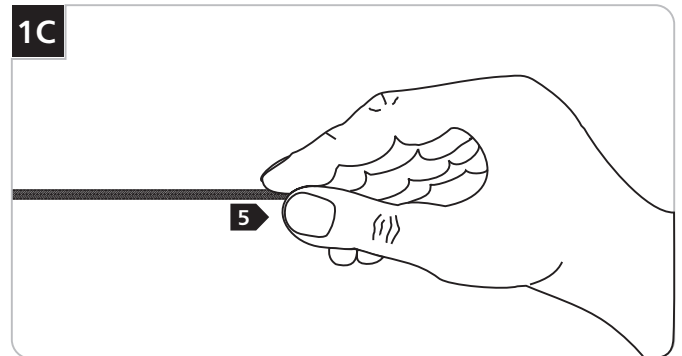


1 Back out (do not remove) the set screw on tip of the connector with the provided Allen wrench.



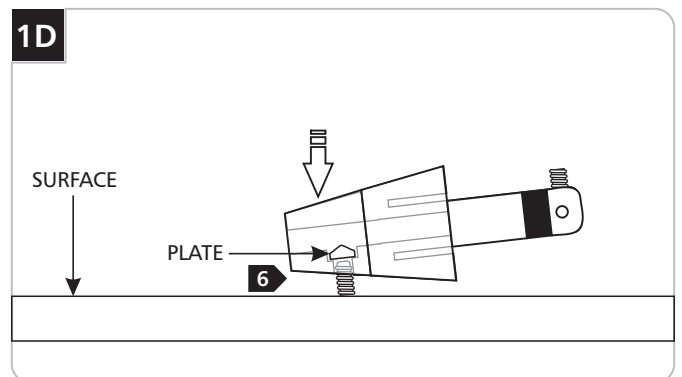
2 Back out (do not remove) the set screw on the conical connector with the provided Allen wrench.

3 Pull the coaxial cable out.

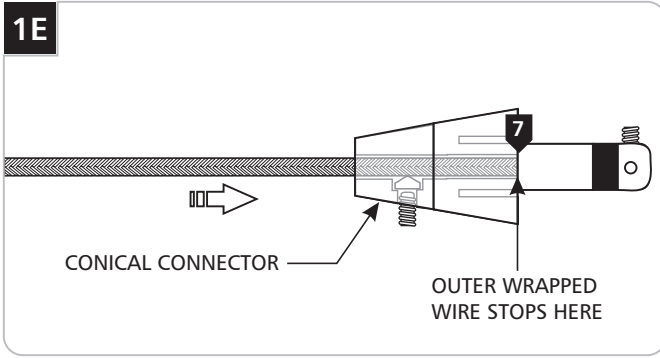


4 Cut the coaxial cable to the desired length.

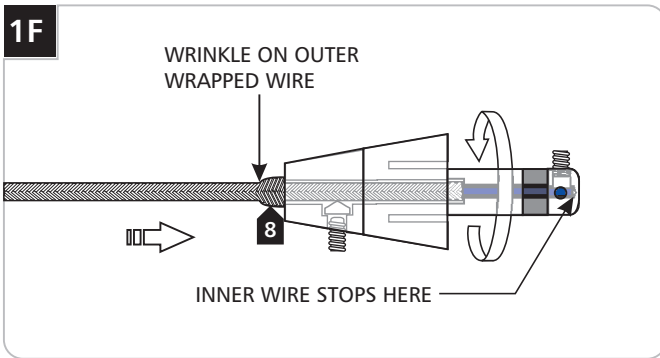
5 Gently twist the end of the coaxial cable between thumb and forefinger.



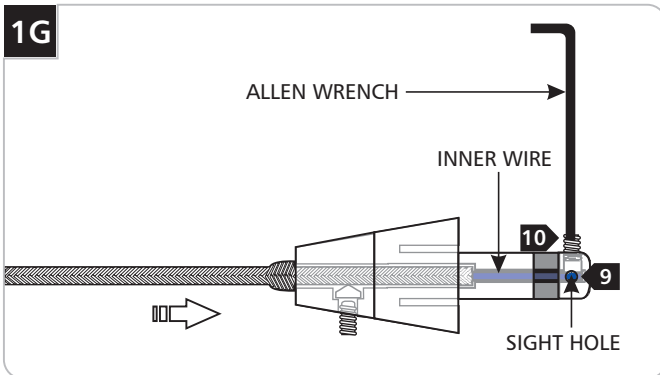
6 Tap the conical connector on a hard surface with the set screw facing down, so the plate inside drops into place.



7 Feed and push the coaxial cable into the conical connector. The coaxial cable will come to a stop point after being inserted 3/4" into the conical connector.

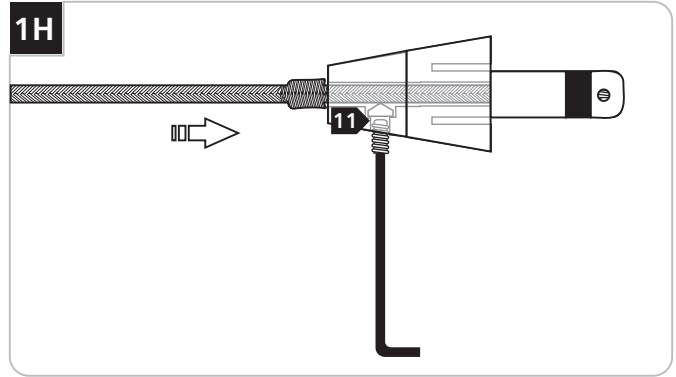


8 Keep pushing the coaxial cable into the connector while rotating the connector to ease feeding the inner wire into the tip of the connector. The outer wrapped wire will start wrinkling while being inserted another 1/2" into the connector.

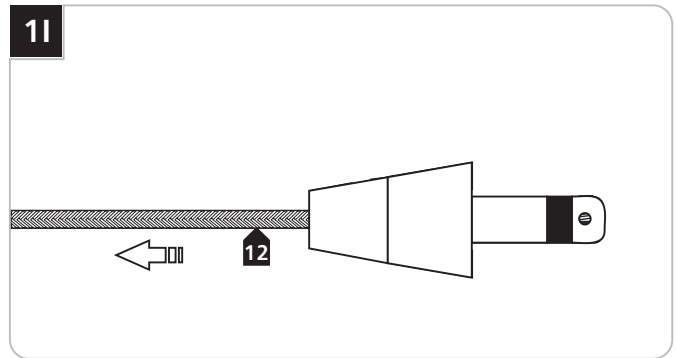


9 Look into the sight hole on the top of the connector to make sure that the inner wire is contacting the end of the connector.

10 Hold the coaxial cable in place and tighten the set screw on top of the connector with the provided Allen wrench. ***Make sure this set screw connection is tight.***




11 Firmly tighten the set screw on the conical connector.

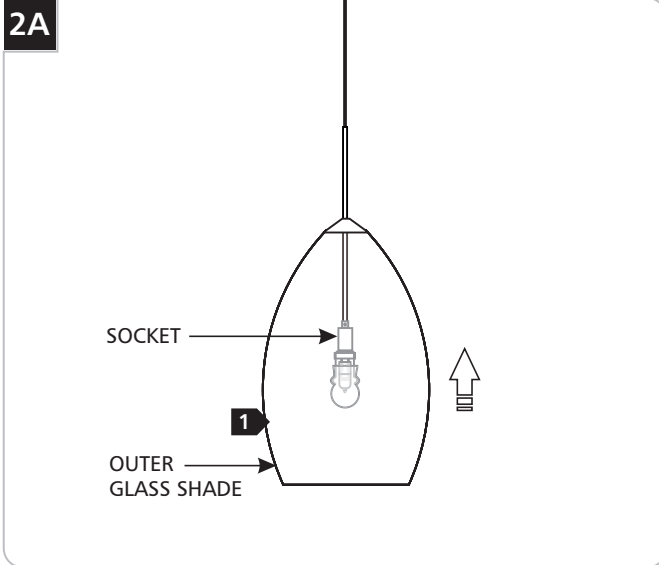


12 Pull the coaxial cable toward the fixture to smooth the wrinkles.

Replacing the Lamp

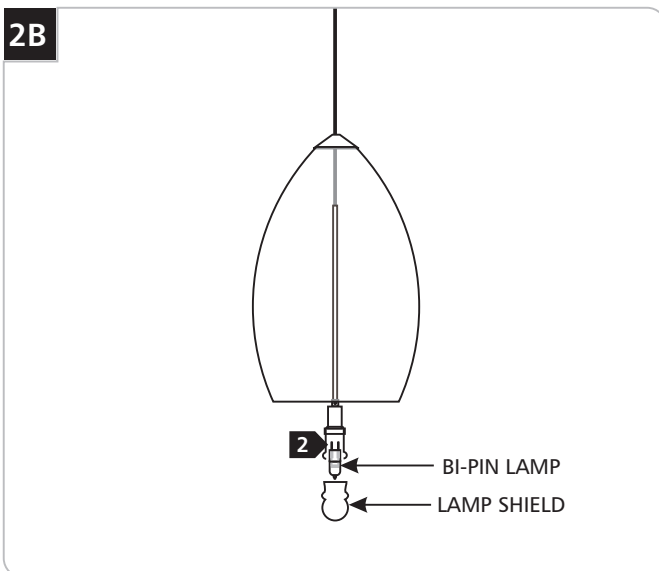
CAUTION: To reduce the risk of a burn or electric shock during relamping, disconnect the power to the fixture.

Use **MAX 50 Watt, Bi-Pin Halogen Lamp.** 

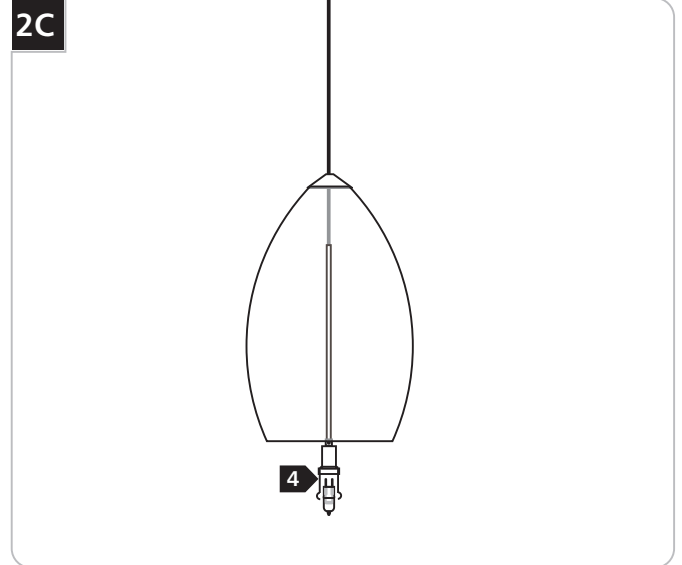


1 Lift the glass shade up to expose the socket.

NOTE: Use only your fingers and a soft cloth to replace the lamp.

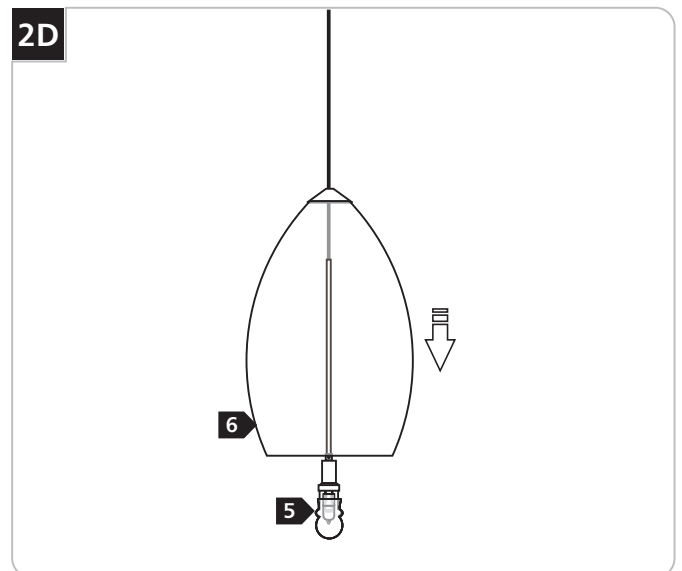


2 Remove the lamp shield and the old lamp.



3 Handle the new replacement lamp with a soft cloth to prevent the natural oils on the fingertips from collecting on the lamp. This will help extend the life of the lamp.

4 Gently insert the new lamp into the socket.



5 Push the lamp shield onto the spring clip.

6 Lower the glass shades onto the socket assembly.

IMPORTANT SAFETY INSTRUCTIONS

To reduce the risk of fire, electrical shock, exposure to excessive UV radiation, or injury to person:

- Use this fixture indoors only.
- Do not look directly at the lighted lamp.
- Do not remain in light if skin feels warm.
- Risk of fire: Use only the type of lamp and maximum wattage indicated in this instruction manual.
- Never cover the halogen lamp with anything other than a Tech Lighting lamp shield and never place flammable material close to your fixture.
- Never turn the fixture on and off by connecting and disconnecting the halogen lamp.
- Do not touch the fixture shades or lamp shield while the fixture is on. These surfaces may be HOT.
- To avoid glare in child's eyes, hang the fixture 18" above the table.

Halogen Lamp General Information

- A new halogen lamp may smoke slightly when it is used for the first time. This is perfectly normal; the protective coating is simply being vaporized.

Two Tips For Prolonging Halogen Lamp Life

- First avoid touching the lamp with bare hands during installation. Any contaminant, even the oil from your hands can deteriorate the lamp. Rubbing alcohol can be used to remove any contaminant.
- Second, do not run the lamps at full power when you do not need to. However, if dimming the fixture for an extended period of time, occasionally bring the light up to full brightness for a few minutes to complete the halogen cycle.

SAVE THESE INSTRUCTIONS!



TECH LIGHTING®

7400 Linder Ave, Skokie, IL 60077

847.410.4400

www.techlighting.com

© 2008 Tech Lighting, L.L.C. All rights reserved. The "Tech Lighting" graphic is a registered trademark of Tech Lighting, L.L.C. Tech Lighting reserves the right to change specifications for product improvements without notification.

A Generation Brands Company