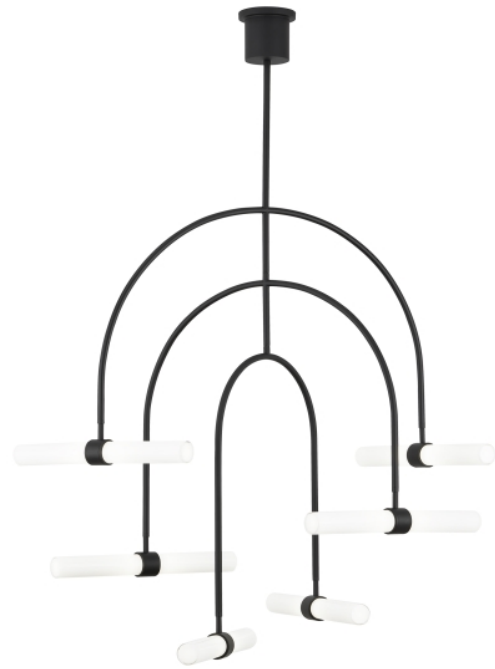


# COLUMN 6-LIGHT CHANDELIER

## PRODUCT FEATURES

- Inspired by the cascading chandelier and designed with cylinder tubes to express dynamic volume and visual interest.
- Includes (2) 6" and (4) 12" rigid stems in coordinating finish
- Complete the look with the entire Calumn Collection including Line-Voltage Pendants and 4-Light Chandelier.
- Dimmable with most LED compatible ELV, Triac dimmers.
- This item is made of natural brass. It is a living finish that will patina and warm with age which adds richness. If it gets an uneven patina or spots, a brass cleaner can restore the finish
- Protected by a 5-year warranty. Please visit the "About Us" Page on [techlighting.com](http://techlighting.com) for more for warranty details



Nightshade Black

## LAMPING

Includes 45 watts, 1650 total delivered lumens, 3000K LED modules. Dimmable with most LED compatible ELV and TRIAC dimmers. Includes (4) 12" and (2) 6" rigid stems in coordinating finish. Cannot be installed on sloped ceiling.



Nightshade Black

Nightshade Black  
3/4 View

Natural Brass

Natural Brass 3/4  
View

## ORDERING INFORMATION

700CLM	SHAPE OR SIZE	FINISH	LAMP
	6 6-LIGHT	<b>NB</b> NATURAL BRASS <b>B</b> NIGHTSHADE BLACK	-LED930 INTEGRATED LED 90 CRI 3000K 120V

This product can mount to either a 4" square electrical box with round plaster ring or an octagon electrical box.

700CLM \_\_\_\_\_

JOB NAME \_\_\_\_\_

NOTES \_\_\_\_\_

\_\_\_\_\_

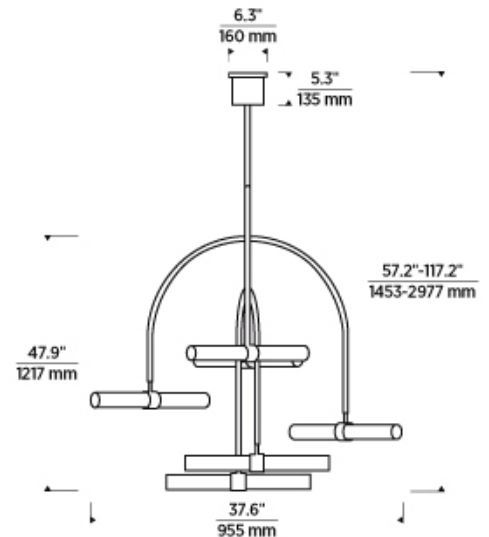
\_\_\_\_\_



# CALUMN 6-LIGHT CHANDELIER

## SPECIFICATIONS

PRIMARY MATERIAL	Aluminum
SHADE MATERIAL	Glass
NET WEIGHT	17 lbs
HEIGHT	47.9in
WIDTH	37.6in
LENGTH	37.6in
UP LIGHT / DOWN LIGHT / BOTH?	
WET LISTED	
DAMP LISTED	Yes
DRY LISTED	
MIN. HANGING HEIGHT	57.2in
MAX HANGING HEIGHT	117.2in
TOTAL CORD LENGTH	
TOTAL STEM LENGTH	Up to 60in
STEM QTY	6
SLOPED CEILING ADAPTABLE?	No
GENERAL LISTING	UL Listed
INCLUDES	



## LAMPING SPECIFICATIONS

	LED LAMP	INTEGRATED LED	NON LED	NO LAMP
DELIVERED LUMENS		1650		
WATTS		45		
MAX WATTAGE PER BULB		45W		
INPUT VOLTAGE/ DIMMING TYPE		120V ELV, TRIAC		
CCT		3000K		
CRI		90 CRI		
LED LIFETIME				
L70		>50000		
AVERAGE BULB HOURS				
FIELD SERVICEABLE LED				
LAMP BASE		Integrated LED		
LAMP SHAPE		Integrated LED		
LAMP INCLUDED?		True		
WARRANTY**		5 Years		

\* Dimming information available at [www.techlighting.com/Downloads#dimming](http://www.techlighting.com/Downloads#dimming)

\*\* Visit [techlighting.com](http://techlighting.com) for specific warranty limitations and details.

## T20 / T24 / JA8 INFORMATION

	Integrated LED	Replacement LED Lamp	No Lamp *
This product can be used to comply with California Building Energy Efficiency Standards 2016 <b>Title 24</b> Part 6 / JA8.	Yes		
This product can be used to comply with California Appliance Efficiency Standards 2016 <b>Title 20</b> and may be shipped to and sold in California.	N/A		

\* If a light fixture or component does not include a lamp or light source, it is the responsibility of the customer to select a lamp that meets the T24 and T20 requirements.

