

# Dobson II 3-Light Bath



## DESCRIPTION

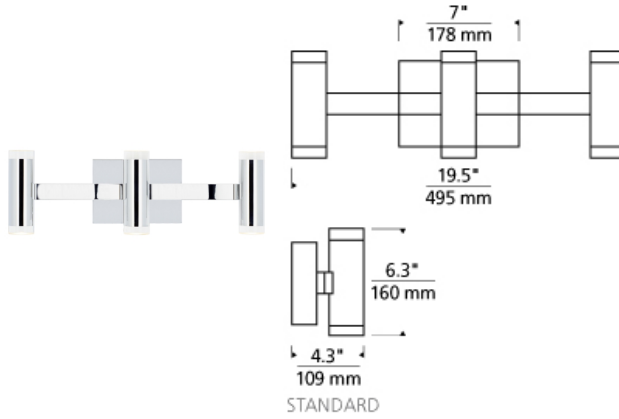
The Dobson bath light by Tech Lighting is sleek and ultra-modern with its cylindrical glass shade and illuminated ring of pure optic crystal. Your choice of sleek chrome or ultra-modern matte black further enhance the contemporary style. The Dobson bath light is available in a two or three vanity light option and comes with an energy efficient integrated LED lamp, this lamp option is fully dimmable to create the desired ambiance in your special space. The Dobson bath bar is the latest addition into the Dobson family, simply search for the Dobson bath to find its closest relatives. 3-Light Shallow version includes 120 volt, 25 watt, 1821 delivered lumens, 3000K LED module. 3-Light Standard version includes 120 volt, 35 watt, 2135 delivered lumens, 3000K LED module. Dimmable with low-voltage electronic dimmer. ADA compliant (Shallow canopy version only).

## INSTALLATION

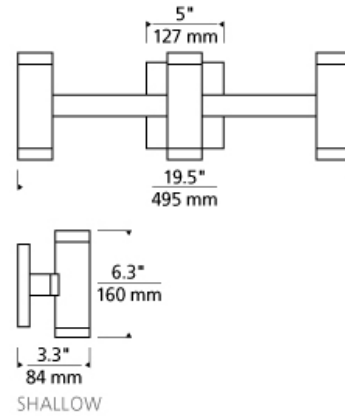
This product can mount to either a 4" square electrical box with round plaster ring or an octagonal electrical box (not included).

## WEIGHT

4.0-4.5lb / 1.81-2.04kg ±



STANDARD



SHALLOW



chrome  
standard

chrome  
shallow

matte black  
standard

matte black  
shallow

## ORDERING INFORMATION

700BCDBS	SHAPE OR SIZE	FINISH	LAMP
3H	3H	C CHROME	-LED930
3S	3S	B MATTE BLACK	-LED930 LED 90 CRI 3000K 120V
			-LED930-277 LED 90 CRI 3000K 277V



**TECH LIGHTING®**

7400 Linder Avenue  
Skokie, Illinois 60077

T 847.410.4400  
F 847.410.4500

Tech Lighting, L.L.C.

700BC DBS \_\_\_\_\_

FIXTURE TYPE: \_\_\_\_\_

JOB NAME: \_\_\_\_\_

NOTES: \_\_\_\_\_

\_\_\_\_\_

\_\_\_\_\_

