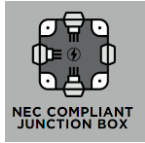
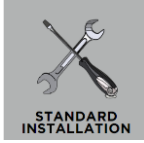
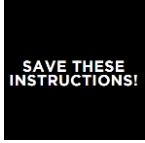


BAU 8, 18, 24 & 30 PICTURE LIGHTS

920WSBAU

SLPC117; SLPC118; SLPC119; SLPC120

General Product Information



Built for use with single gang or standard electrical boxes with a goof plate.



Suggested/Required Tools



Safety Information

CAUTION-RISK OF FIRE

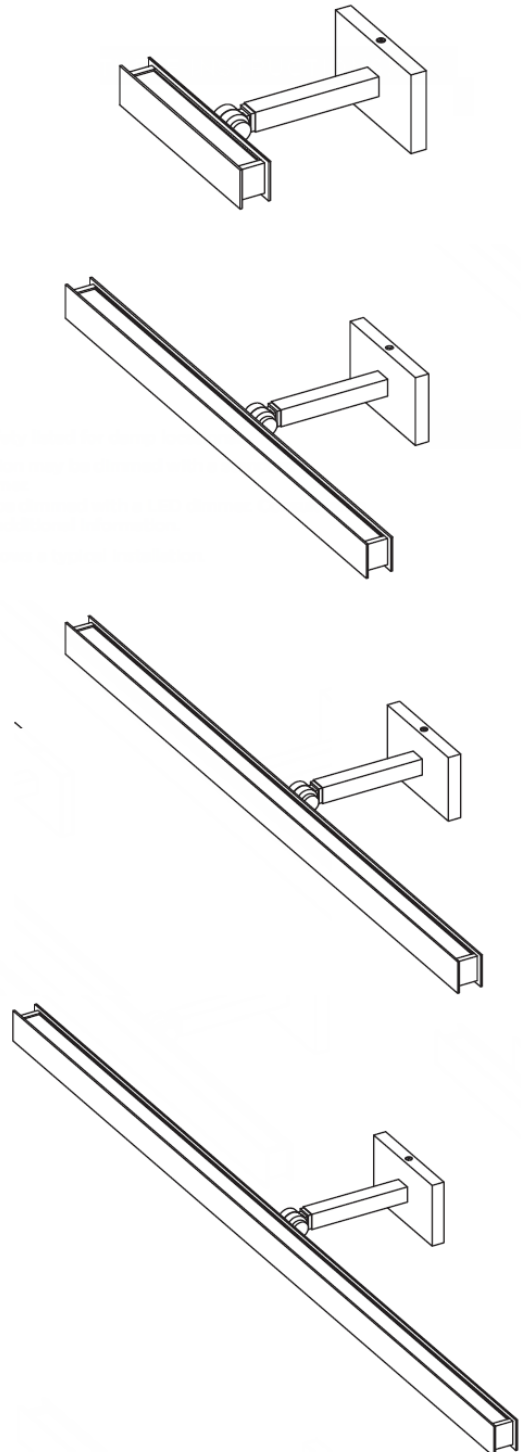
This product must be installed in accordance with the applicable installation code by a person familiar with the construction and operation of the product and the hazards involved.

USE MINIMUM 90°C SUPPLY CONDUCTORS.



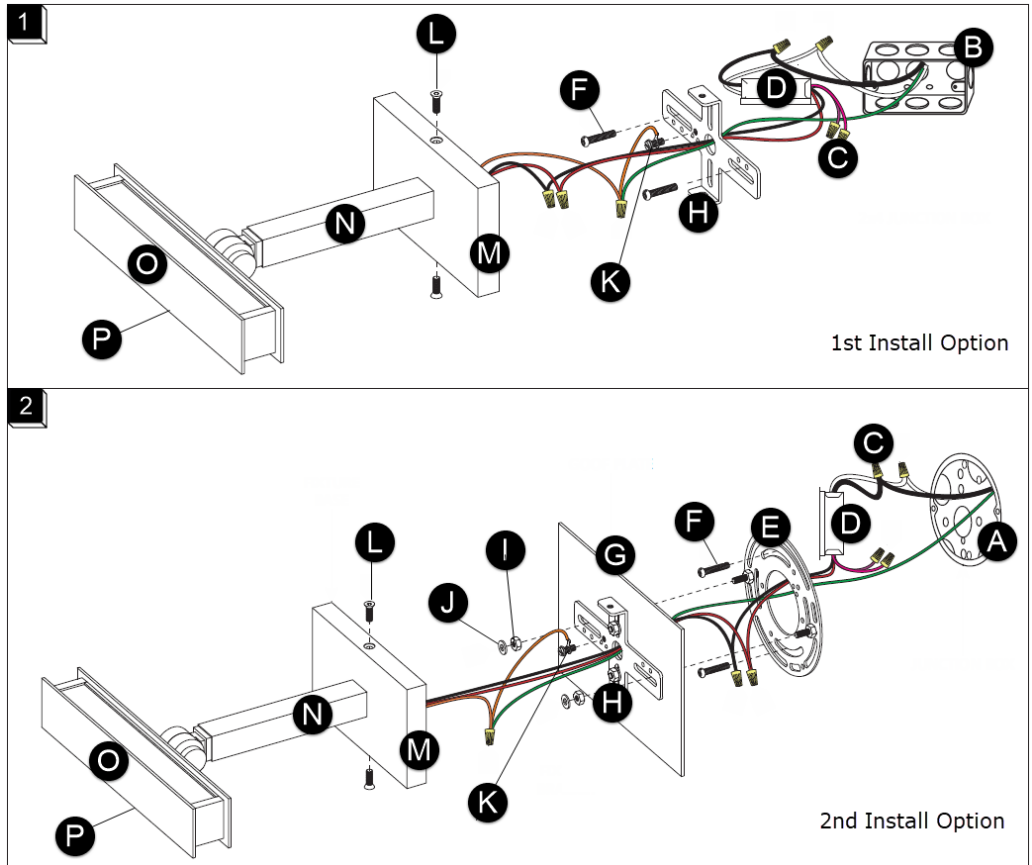
Turn off electrical current at the source before working with any lighting fixture or portable lamp.

Install and use this product in adherence with local electrical codes and regulations.



FIXTURE PARTS

- A. Junction Box
- B. 2x4 Junction Box (Optional)
- C. Wire Nut Connections
- D. Driver
- E. Mounting Plate
- F. Mounting Screws
- G. Goof Plate (Optional)
- H. Fixture Bracket
- I. Hex Nuts
- J. Washers
- K. Ground Screw
- L. Fixture Screws
- M. Fixture Base/Backplate
- N. Fixture Arm/Fixture
- O. Shade
- P. LED



INSTRUCTIONS

I. Preparing the Fixture

1. Carefully, unbox and examine all the items included in the packaging of the fixture.
2. Using the provided Allen wrench, separate the fixture bracket from the backplate by removing the fixture screws.

II. Wiring the Fixture

1. Safety first! Locate the circuit breaker and switch it off to cut off the power supply to the relevant circuits to ensure there's no electricity running through the wiring.
2. Connect the LED driver input wires to the local power line wires. Twist the bare ends of the following pairs of wires together using a wire nut to secure a connection:
 - a) White (neutral) driver wire to neutral power line wire
 - b) Black (hot) driver wire to hot power line wire
3. For 0-10V dimming capabilities, connect the purple and pink wires to a compatible dimmer. Cap off these wires, if not in use.
4. Place the driver in the junction box, ensuring the output driver wires are accessible.
5. Install the mounting plate or fixture bracket to the junction box:
 - a) **Option 1:** Use the mounting screws to secure the fixture bracket to the 2x4 junction box.
 - b) **Option 2:** Feed the driver output wires through the center hole of the mounting plate and secure it to the junction box using the mounting screws.
 - i. Then install the fixture bracket to the goof plate using the hex nuts and washers.
 - ii. Feed the driver output wires through the center of the bracket/goof-plate assembly and secure it to the mounting plate with the remaining hex nuts.
6. In accordance with local electrical codes, connect the fixture ground wire (bare copper or silver wire) to suitable ground. This may be a green ground screw on the mounting plate, which the ground wire should be tightly wrapped around or a house wire (green or bare copper wire without insulation).
7. Now, twist the bare ends of the following pairs of wires together using a wire nut to secure a connection:
 - a) Black/blue driver wire to black/blue fixture wire
 - b) Red driver wire to red fixture wire
8. Carefully tuck all the wires in between the junction box and fixture base.

III. Installing the Fixture

1. Place the fixture backplate/base onto the mounting plate and secure it in place by reinstalling the fixture screws with the Allen wrench.