

BLING X-LARGE PENDANT

VISUAL COMFORT & CO.

PRODUCT FEATURES

- From the brand formerly known as Tech Lighting
- Drawing inspiration from a Clodagh sculptural design, Bling embodies all the elements of natural and mixed materials. Creating a zen, spa-like vibe in any space
- A modern Dark Bronze Finish
- Ships with 14 feet of field-cuttable black cloth cord
- Fully dimmable integrated LED lamp
- Cast aluminum with crisp edges and step back details throughout the design



LAMPING

Includes 27 watts, 957 delivered lumens, 2700K LED module. Dimmable with most LED compatible ELV and TRIAC dimmers. Ships with 14 feet of field-cuttable black cloth cord. 120V-277V.

Dark Bronze



Dark Bronze

Dark Bronze (Alt)

Dark Bronze (Alt 2)

ORDERING INFORMATION

CDPDI78	COLOR TEMP	FINISH
	27 2700K	PZ PLATED DARK BRONZE

CDPDI78 _____

JOB NAME _____

NOTES _____

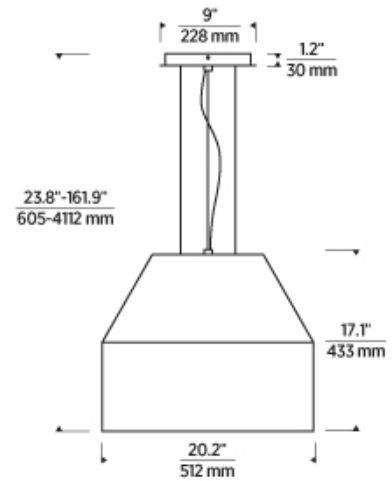


BLING X-LARGE PENDANT

VISUAL COMFORT & Co.

SPECIFICATIONS

PRIMARY MATERIAL	Aluminum
SHADE MATERIAL	Aluminum
NET WEIGHT	40 lbs
HEIGHT	17.1in
WIDTH	20in
LENGTH	20in
UP LIGHT / DOWN LIGHT / BOTH?	
WET LISTED	
DAMP LISTED	
DRY LISTED	
MIN. HANGING HEIGHT	18.6in
MAX HANGING HEIGHT	162.6in
TOTAL CORD LENGTH	144in
TOTAL STEM LENGTH	
STEM QTY	
SLOPED CEILING ADAPTABLE?	Yes 45° Max
GENERAL LISTING	ETL Listed
INCLUDES	



LAMPING SPECIFICATIONS

	LED LAMP	INTEGRATED LED	NON LED	NO LAMP
DELIVERED LUMENS		957		
WATTS		27		
MAX WATTAGE PER BULB		27W		
		Universal 120V-277V ELV, TRIAC		
CCT		2700K		
CRI		90 CRI		
LED LIFETIME				
L70		>50000		
AVERAGE BULB HOURS				
FIELD SERVICEABLE LED				
LAMP BASE		Integrated LED		
LAMP SHAPE		Integrated LED		
LAMP INCLUDED?		True		
WARRANTY**		5 Years		

* Dimming information available at www.techlighting.com/Downloads#dimming

** Visit techlighting.com for specific warranty limitations and details.

T20 / T24 / JA8 INFORMATION

	Integrated LED	Replacement LED Lamp	No Lamp *
This product can be used to comply with California Building Energy Efficiency Standards 2016 Title 24 Part 6 / JA8.	No		
This product can be used to comply with California Appliance Efficiency Standards 2016 Title 20 and may be shipped to and sold in California.			

* If a light fixture or component does not include a lamp or light source, it is the responsibility of the customer to select a lamp that meets the T24 and T20 requirements.

