

# Orbel Wall

LED T20

## DESCRIPTION

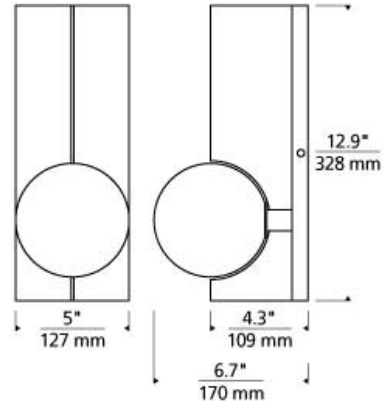
The Orbel Collection by Tech Lighting is inspired by Mid-Century modern art with contrasting geometric shapes. The Orbel wall sconce features an elongated metal rectangle that supports a frosted sphere of light. Designed at 13" tall and offered in three modern finishes, the wall sconce is a beautiful fixture to line your hallways or illuminate any room setting. Coordinate your design with other fixtures in the Orbel collection, such as the flush mount, bath light and low voltage pendants. Lamping options are compatible with most dimmers. Refer to the Dimming Chart for more information. Rated for (1) 5 watt max. G9 Bi-Pin lamp (Not Included). LED 120 volt 5 watt, 303 delivered lumens, 3000K, LED G9 Bi-Pin lamp. Dimmable with most LED compatible ELV and TRIAC dimmers. Mounts up or down.

## INSTALLATION

This product can mount to either a 4" square electrical box with round plaster ring or an octagonal electrical box (not included).

## WEIGHT

3.5-3.5lb / 1.59-1.59kg ±



brass  
(aged brass not shown)



polished nickel



matte black

## ORDERING INFORMATION

700WSOBL FINISH

LAMP

R AGED BRASS  
B MATTE BLACK  
N POLISHED NICKEL

NO LAMP  
-LED930 BI-PIN G9 LED 90 CRI 3000K 120V (T20/T24)



**TECH LIGHTING®**

7400 Linder Avenue T 847.410.4400  
Skokie, Illinois 60077 F 847.410.4500

Tech Lighting, L.L.C.

700WS OBL \_\_\_\_

FIXTURE TYPE: \_\_\_\_\_

JOB NAME: \_\_\_\_\_

NOTES: \_\_\_\_\_

\_\_\_\_\_

\_\_\_\_\_



©2019 Tech Lighting, L.L.C. All Rights Reserved. The "Tech Lighting" graphic is a registered trademark of Tech Lighting, L.L.C. Tech Lighting reserves the right to change specifications for product improvements without notification.