

# Franklin Wall

KWL1121 | 1.0

## GENERATION LIGHTING WALL

### GENERAL PRODUCT INFORMATION:

These fixtures are intended to be installed utilizing NEC compliant junction boxes.

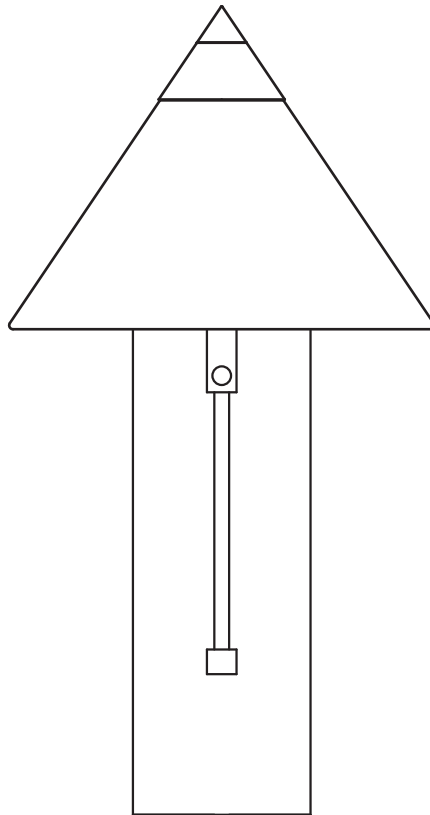
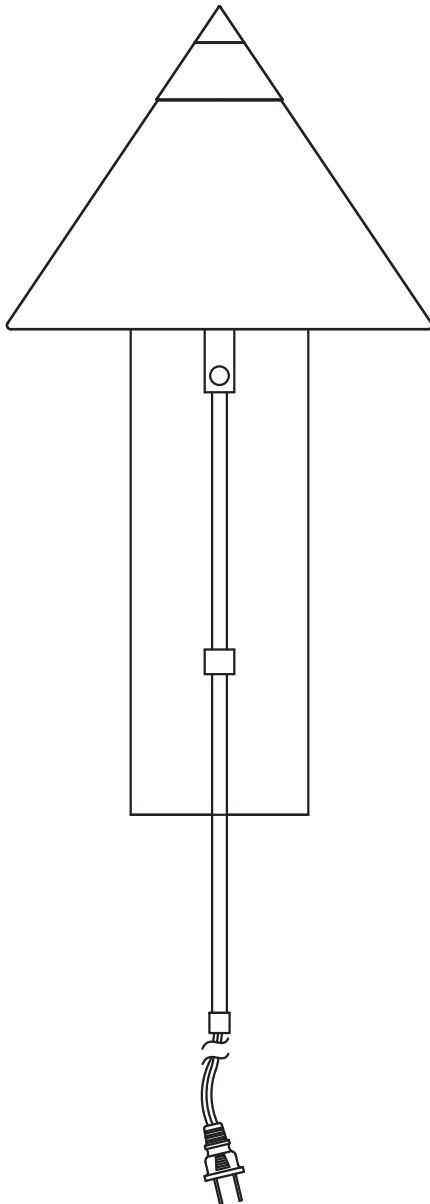
This product is safety listed for damp locations.

Incandescent version may be dimmed with a standard incandescent dimmer. LED version may be dimmed with a LED dimmer. Consult lamp manufacturer for additional information.

This instruction shows a typical installation.

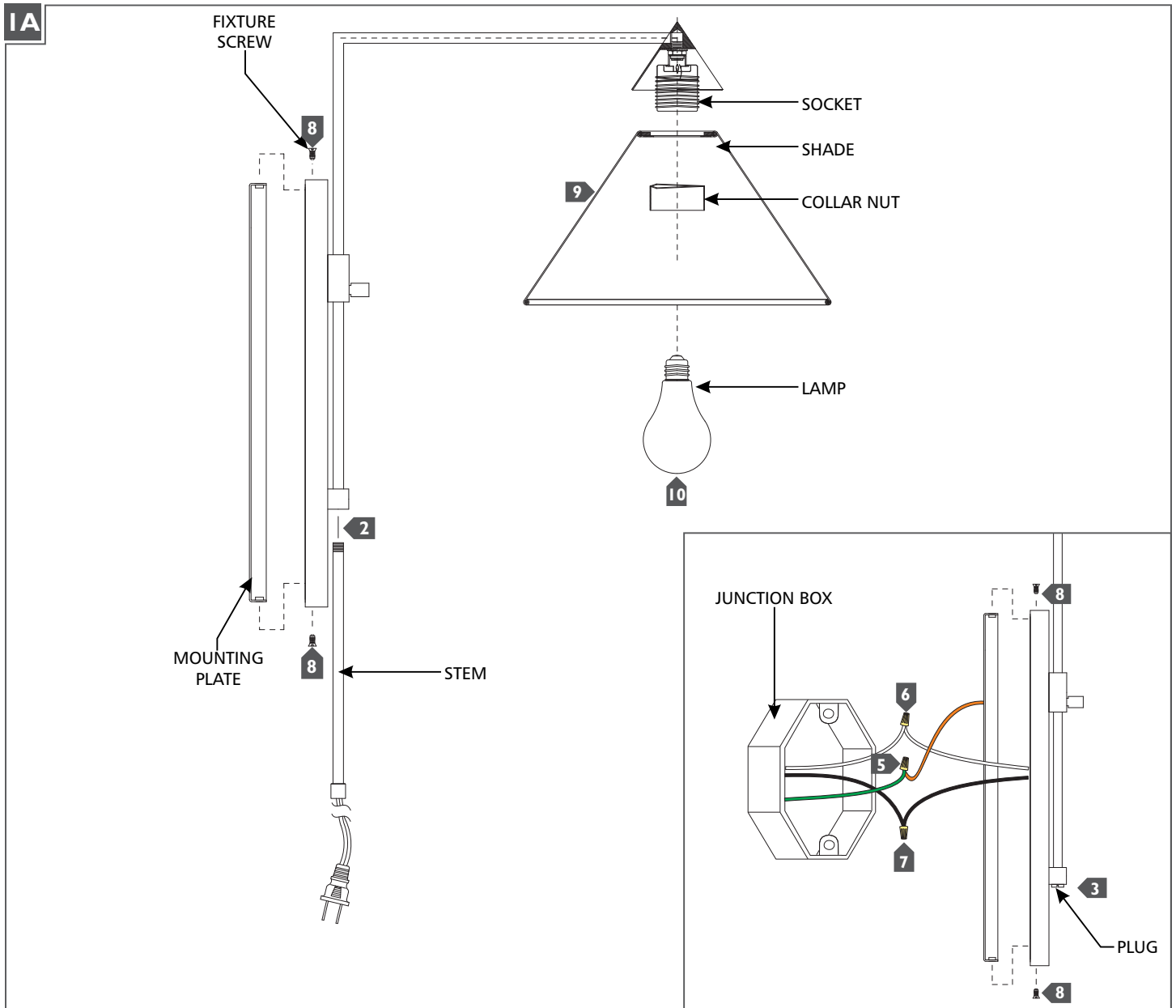
**SAVE THESE INSTRUCTIONS!**

**CAUTION - RISK OF FIRE**  
This product must be installed in accordance with the applicable installation code by a person familiar with the construction and operation of the product and the hazards involved.  
**Use minimum 90°C supply conductors.**



GENERATION LIGHTING  
7400 Linder Ave., Skokie, IL 60077  
T 847.410.4400 | F 847.410.4500  
www.generationlighting.com

# Install the Fixture



- 1 Plug in cord mounting:** (for junction box power mounting skip to step 4) properly secure the mounting plate to the wall or junction box.
- 2** Screw the stem onto the fixture base. **Skip to step 8**
- 3 Junction box power mounting:** disconnect the cord wires from the fixture wires by removing the wire nuts, carefully pull the cord out of the fixture, then close the cord hole by screwing the provided plug.
- 4** Secure the mounting plate to the junction box.
- 5** Connect the fixture ground wire to a suitable ground in accordance with local electrical codes.
- 6** Connect the white fixture wire to the neutral power line wire with a wire nut.
- 7** Connect the black fixture wire to the hot power line wire with a wire nut.
- 8** Mount the fixture onto the mounting plate and secure it in place with the fixture screws.
- 9** Place the shade over the socket and secure it in place by screwing the collar nut onto the socket.
- 10** Screw the lamp into the socket. Refer to the label on the socket for Max Wattage Information.