

Hyannis Post

CO1413 | 1.0

GENERATION LIGHTING POST

GENERAL PRODUCT INFORMATION:

This product is safety listed for wet locations.

Incandescent version may be dimmed with a standard incandescent dimmer. LED version may be dimmed with a LED dimmer. Consult lamp manufacturer for additional information.

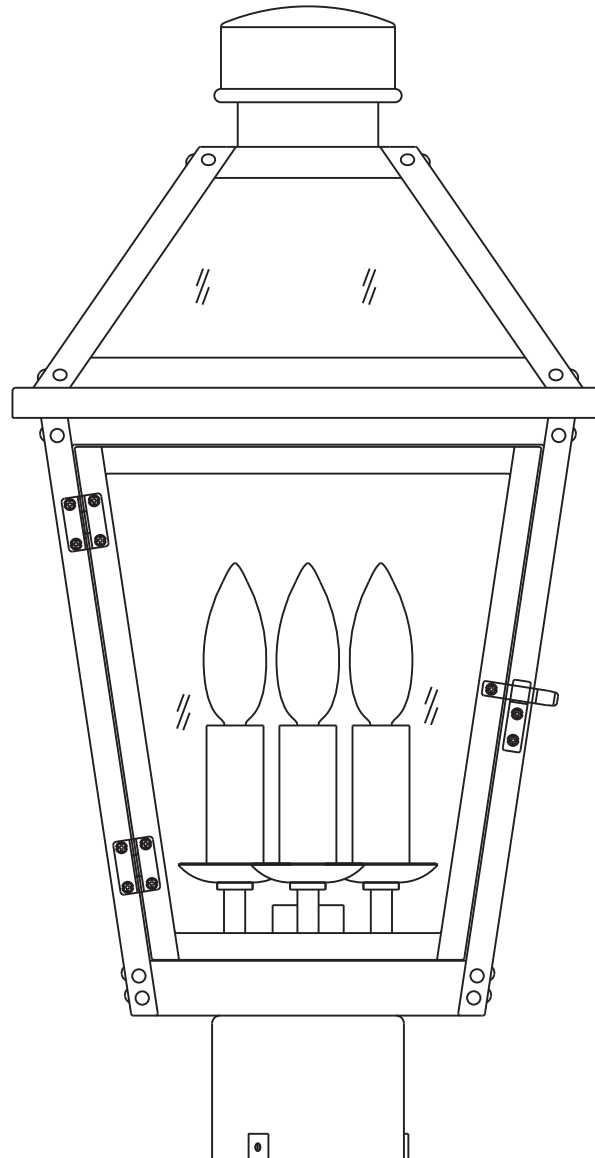
This instruction shows a typical installation.

CAUTION - RISK OF FIRE

This product must be installed in accordance with the applicable installation code by a person familiar with the construction and operation of the product and the hazards involved.

Use minimum 90°C supply conductors.

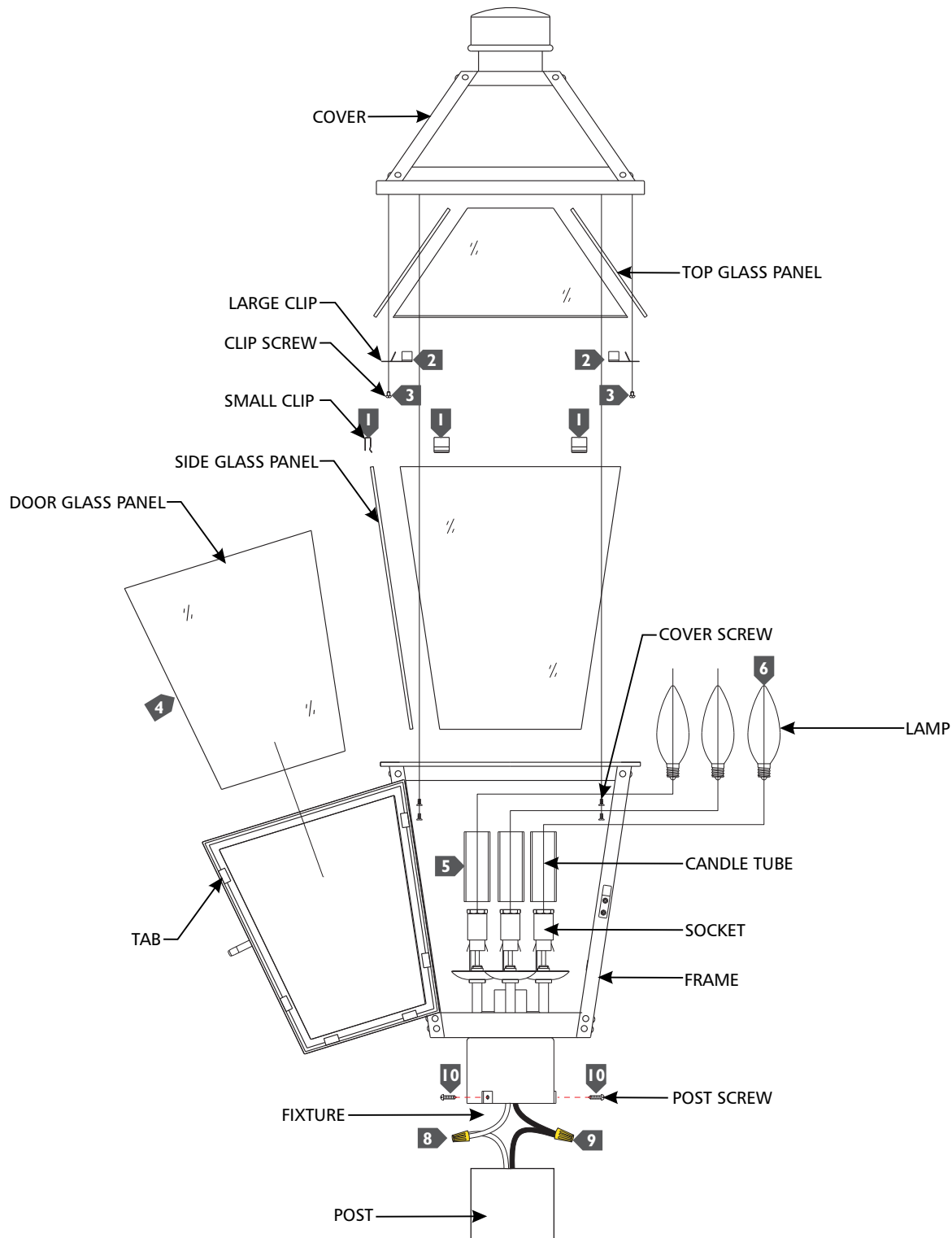
SAVE THESE INSTRUCTIONS!



GENERATION LIGHTING
7400 Linder Ave., Skokie, IL 60077
T 847.410.4400 | F 847.410.4500
www.generationlighting.com

Install the Fixture

IA



- 1** Install the side glass panels by carefully inserting them in the frame and securing them using the small clips.
- 2** Install the top glass panels by carefully inserting them in the cover and securing them using the large clips and clip screws.
- 3** Install the cover to the top of the frame using the cover screws.
- 4** Slide the door glass panel into the door frame and secure it in place using the tabs.
- 5** Install the candle tubes by sliding them over the sockets.
- 6** Screw the lamps into the sockets. Refer to the label on the lamp socket for Max Wattage Information.
- 7** Connect the fixture to a suitable ground in accordance with local electrical codes.
- 8** Connect the white fixture wire to the neutral power line wire with a wire nut.
- 9** Connect the black fixture wire to the hot power line wire with a wire nut.
- 10** Secure the fixture to the post with the post screws making sure to neatly tuck in all wiring.