

# MONTE CARLO®

CEILING FAN COMPANY

## DOWNROD REPLACEMENT FOR 3MNL56/72XXD SERIES FAN READ AND SAVE THESE INSTRUCTIONS

**Warning:** Make sure main power is turned off before handling parts replacement.

Installation work and electrical wiring must be done by qualified person(s). If you are unfamiliar with methods of installing or electrical wiring, secure the service of a qualified electrician.

All electrical connections must be in accordance with local codes, ordinances, and national electrical codes.

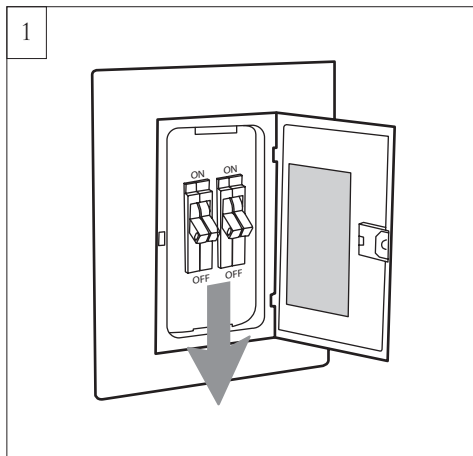
Review the installation instructions supplied with your fan. Make sure that your fan has been wired properly into the ceiling.

**Warning:** Cross pin and keeper pin must be installed securely with yoke and downrod, and the pin in hanger ball must be installed in slot of hanger ball and through downrod, failure to install them will result in serious injury.

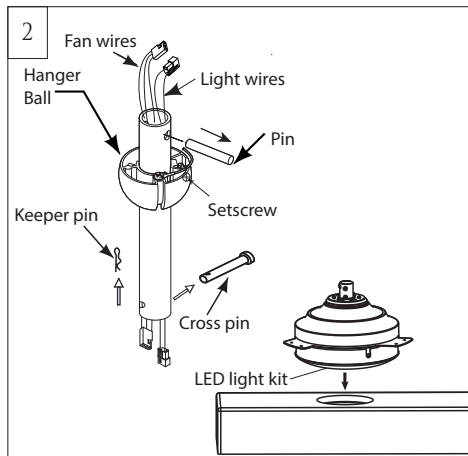
Tools Required for Assembly (not included): Electrical Tape, Phillips Screwdriver, Pliers, Safety Glasses, Stepladder and Wire Strippers

Customer Service  
800-969-3347

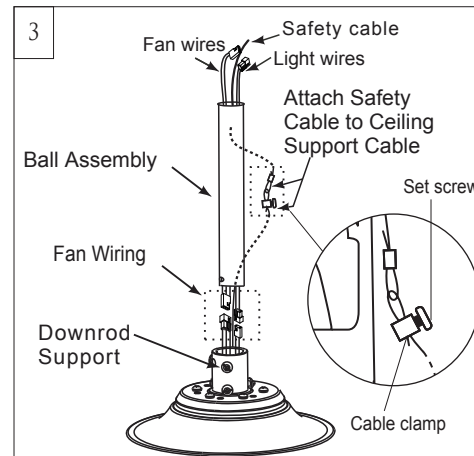
Customer Service Center  
7400 Linder Ave.  
Skokie, IL 60077  
[www.montecarlofans.com](http://www.montecarlofans.com)



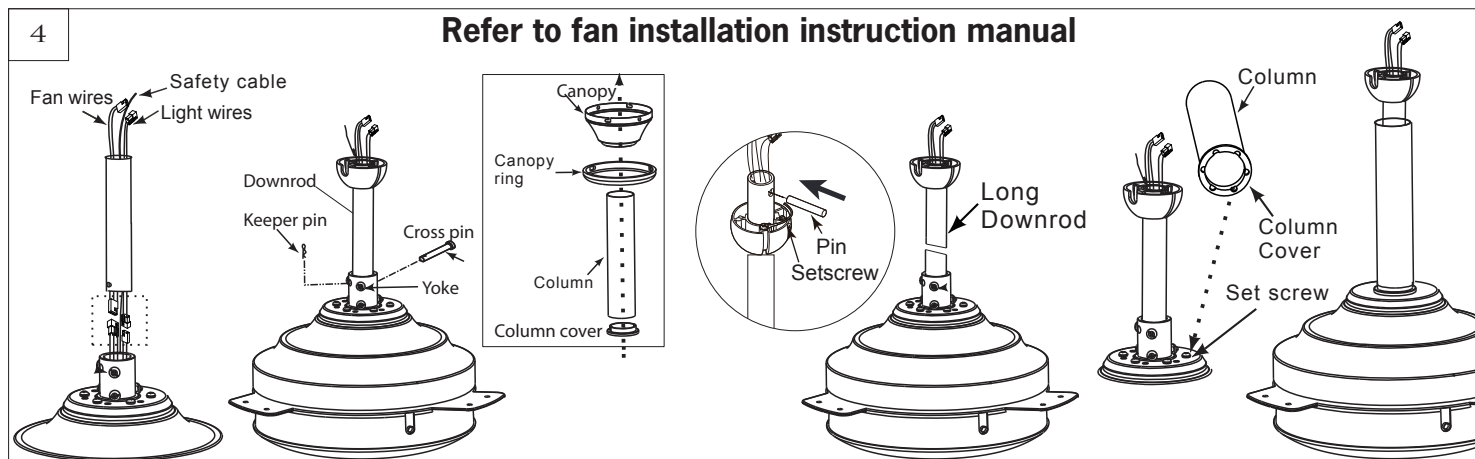
Before you begin handling parts replacement, Switch power off at Service panel and lock service disconnecting means to prevent power from being switched on accidentally. When the service disconnecting means cannot be locked, securely fasten a warning device, such as a tag, to the service panel.



Remove hanger ball from existing downrod by loosening the set screw on hanger ball until the ball can be moved freely. Remove the pin and hanger ball from downrod. Keep the parts. Place fan assembly on styrofoam to keep the LED light kit away from damage and make fan installation easier. Flip the bottom styrofoam over, aligning the part of the LED light kit with the hole in the styrofoam and then place the fan assembly on it for downrod installation.



Thread lead wires provided through the long downrod and then Thread the safety cable provided through downrod (the end with loop installed downward) and connect it to the safety cable from fan (Parts are in the column). Slide cable clamp onto the safety cable from fan. Place the end of cable through the loop of ceiling support cable and then feed end of cable into clamp hole and firmly tighten set screw. Cut off excess safety cable and then pull the safety cable up from top of downrod.



**Refer to fan installation instruction manual**

**Note:** Make sure to pull the safety cable up before you go next step of lead wires connection. Connect lead wires (the plugs from fan to the plugs from downrod side) and then install the downrod as fan installation instruction manual.

**Helpful hint:** To pull the lead wires from top side of downrod will help for downrod installation. Use a thin iron wire may help to pull the lead wires through long downrod. Tie the lead wires with an iron wire, thread the iron wire through downrod firstly and then pull the iron wire with the lead wires through downrod. **Make sure the plugs connections won't be pulled out.**

Reinstall the hanger ball onto the downrod. Slip the hanger ball over downrod and then Insert the pin into the holes on downrod. Align the groove in hanger ball with the pin and pull the hanger ball up tight against the pin. Tighten securely the set screw on the hanger ball.

**Warning:** Pin must be installed in slot of hanger ball and through downrod, failure to install them will result in serious injury.

Place column over downrod and put it in position by aligning the recessions with the set screws on top side of housing as fan installation instruction manual.

**Note:** Refer to fan installation instruction manual to finish fan installation.

Dec.2013

Apr.2015 update, use thin iron wire...