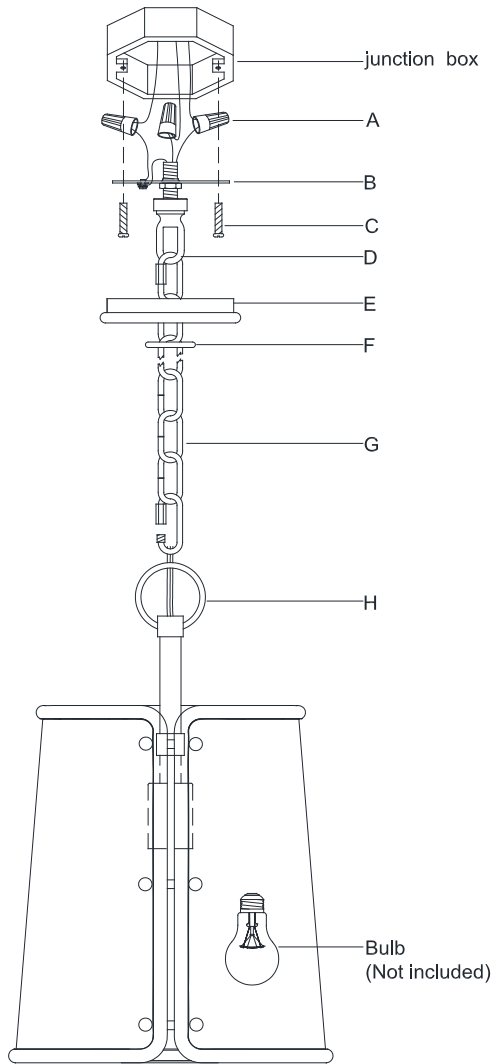


## ASSEMBLY INSTRUCTIONS



## Hastings Small Pendant

Item # S 5645

**WE RECOMMEND INSTALLATION OF THIS LIGHTING FIXTURE BE DONE BY A LICENSED ELECTRICIAN.**

**WARNING\*\*\*SWITCH OFF THE MAIN ELECTRICAL SUPPLY FROM THE MAIN FUSE BOX/CIRCUIT BREAKER BEFORE INSTALLATION.**

**INSPECT ITEM CAREFULLY BEFORE ATTEMPTING TO INSTALL. IF THERE IS ANY DAMAGE OR OBVIOUS DEFECT. DO NOT INSTALL.**

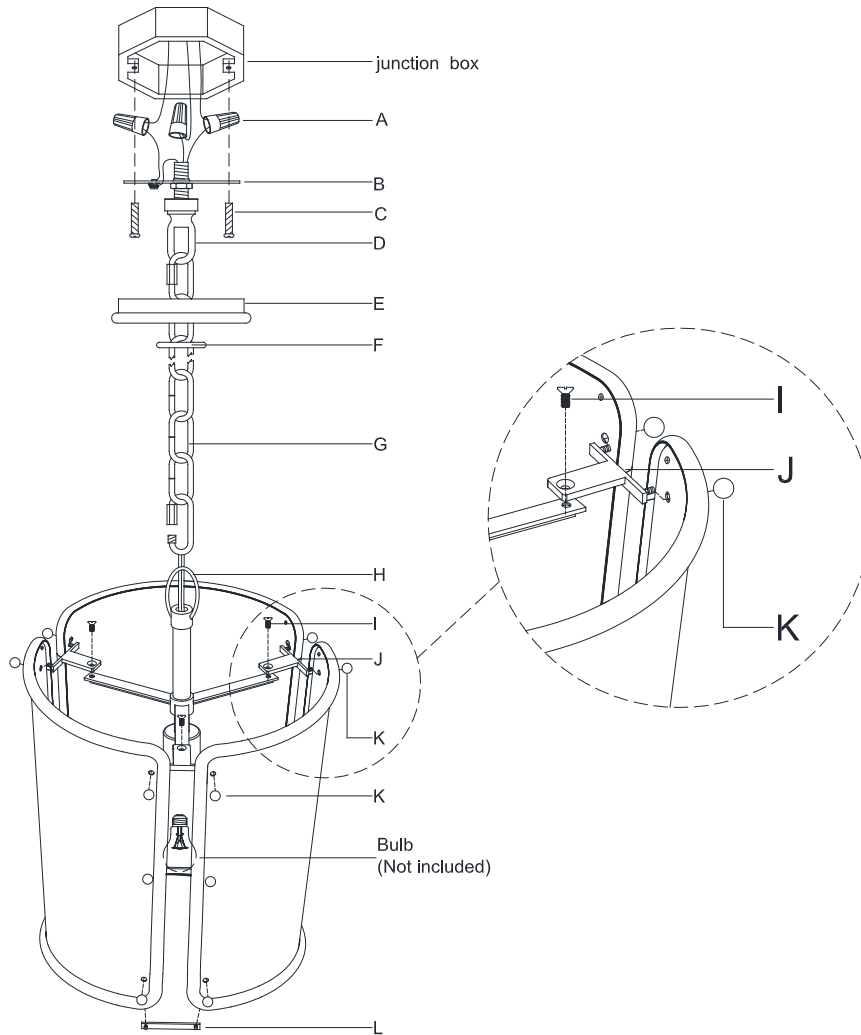
**ITEM MAY NOT BE RETURNED ONCE IT HAS BEEN INSTALLED.**

**NOTE: CAREFULLY UNPACK EACH PIECE IN TOP LAYER OF PACKING PRIOR TO REMOVING. RETAIN ALL PACKING MATERIAL UNTIL INSPECTION AND INSTALLATION ARE FINAL.**

1. Carefully remove all parts from the box.
  2. Install the crossbar (B) with ceiling loop (D) to the outlet box by mounting screws (C) provided.
  3. With the fixture desired height, shorten the chain (G) as needed using a pair of chain pliers.
  4. Open the chain quick link, then attach the chain quick link to the top ring (H). Secure the chain quick link.
  5. Let the collar ring (F) and canopy (E) go through the chain (G).
  6. Open the chain quick link, then attach the chain quick link to the ceiling loop (D). Secure the chain quick link.
  7. Weave the power supply cord and the ground wire through the chain (G).
  8. When you reach the canopy and ceiling loop, measure the wires then cut. Be certain to leave enough to connect inside of the outlet box.
  9. Strip the insulation back on the two power supply wires about 5/8".
  10. Twist the power supply and ground wire together and push through the center hole of the ceiling loop (D).
  11. Connect the fixture ground (bare) wire with the ground wire from the junction box using wire nut (A). If your house does not have ground wire, then attach this wire to the green grounding screw inside of the junction box.
- IT IS IMPERATIVE THAT THIS FIXTURE BE GROUNDED.



## ASSEMBLY INSTRUCTIONS



## Hastings Small Pendant

Item # S 5645

**WE RECOMMEND INSTALLATION OF THIS LIGHTING FIXTURE BE DONE BY A LICENSED ELECTRICIAN.**

**WARNING\*\*\*SWITCH OFF THE MAIN ELECTRICAL SUPPLY FROM THE MAIN FUSE BOX/CIRCUIT BREAKER BEFORE INSTALLATION.**

**INSPECT ITEM CAREFULLY BEFORE ATTEMPTING TO INSTALL. IF THERE IS ANY DAMAGE OR OBVIOUS DEFECT. DO NOT INSTALL.**

**ITEM MAY NOT BE RETURNED ONCE IT HAS BEEN INSTALLED.**

**NOTE: CAREFULLY UNPACK EACH PIECE IN TOP LAYER OF PACKING PRIOR TO REMOVING. RETAIN ALL PACKING MATERIAL UNTIL INSPECTION AND INSTALLATION ARE FINAL.**

12. Connect the fixture Neutral wire (ribbed) with the neutral wire (usually white) from the junction box using wire nut (A).
13. Connect the fixture Hot wire (smooth, marks with words) with the hot wire (usually black) from the junction box using wire nut (A).  
DO NOT REVERSE THE HOT AND NEUTRAL CONNECTIONS OR SAFETY WILL BE COMPROMISED.
14. Tuck these wire connections neatly into the outlet box to secure.
15. Put canopy (E) flush to the ceiling, and secure with collar ring (F).
16. Insert bulb (not included) into the socket.
17. Installation is complete, turn on power at fuse or circuit breaker.

\*\*\*Clean with a dry, soft cloth only. Use no harsh abrasives or chemical agents.

The shade can be installed up side down, you can follow below steps to change:

1. Loosen the screws (I), then remove the metal shade from the fixture body.
2. Turn over the shade, loosen the ball nuts (K), then remove the brackets (L) on the top of the shade.
3. Attach the brackets (J) (in the parts bag) to the top of the shade and secure with ball nuts (K).
4. Loosen the ball nuts (K) on the bottom of the shade and remove the brackets, then attach the brackets (L) to the bottom of the shade and secure with ball nuts (K).
5. Attach the metal shade to the fixture body and secure with screws (I).

