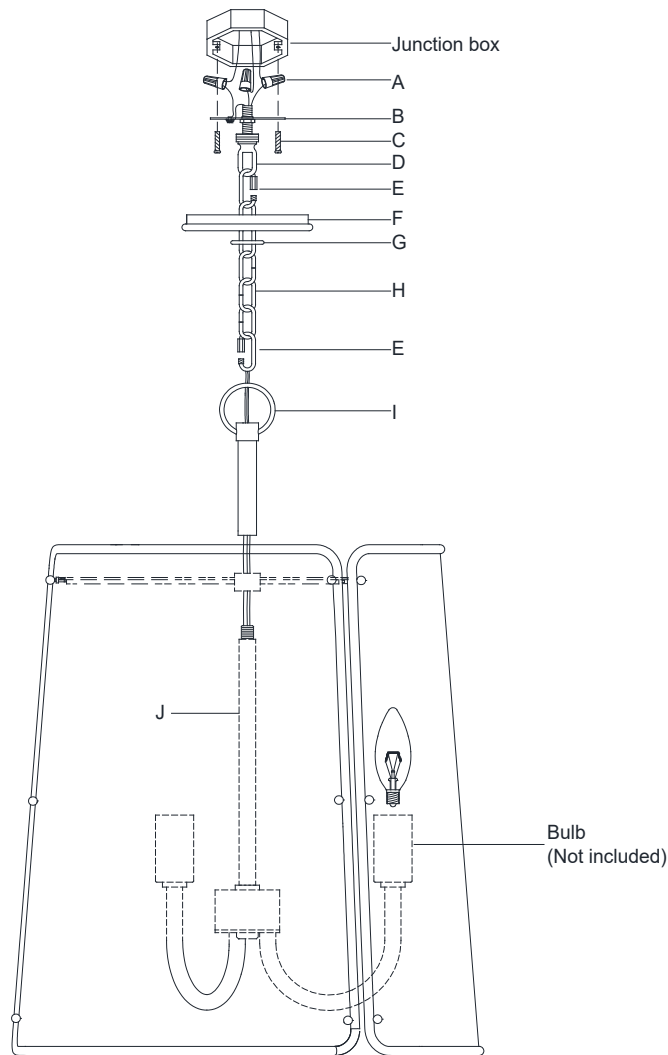


## ASSEMBLY INSTRUCTIONS



## Hastings Medium Pendant

Item # S 5647

**WE RECOMMEND INSTALLATION OF THIS LIGHTING FIXTURE BE DONE BY A LICENSED ELECTRICIAN.**

**WARNING\*\*\*SWITCH OFF THE MAIN ELECTRICAL SUPPLY FROM THE MAIN FUSE BOX/CIRCUIT BREAKER BEFORE INSTALLATION.**

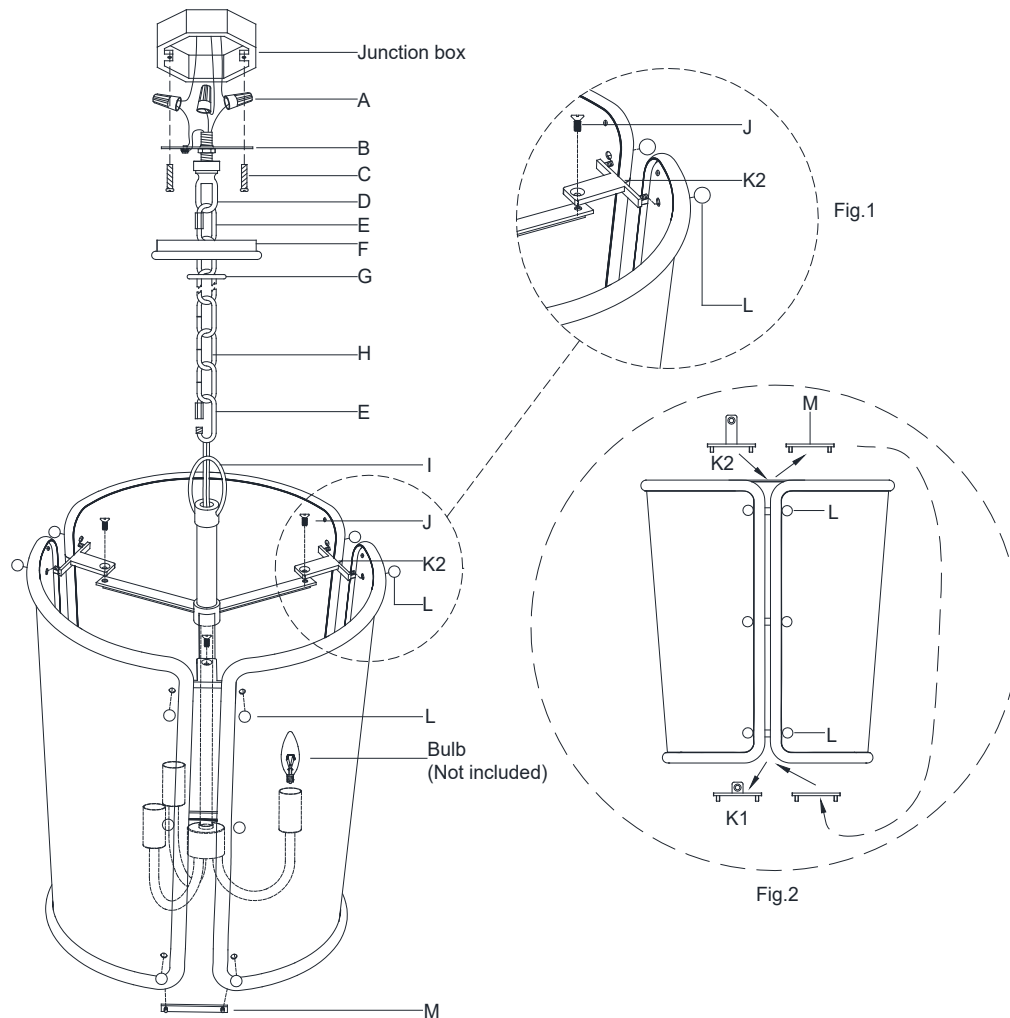
**INSPECT ITEM CAREFULLY BEFORE ATTEMPTING TO INSTALL. IF THERE IS ANY DAMAGE OR OBVIOUS DEFECT. DO NOT INSTALL.**

**ITEM MAY NOT BE RETURNED ONCE IT HAS BEEN INSTALLED.**

**NOTE: CAREFULLY UNPACK EACH PIECE IN TOP LAYER OF PACKING PRIOR TO REMOVING. RETAIN ALL PACKING MATERIAL UNTIL INSPECTION AND INSTALLATION ARE FINAL.**

1. Carefully remove all parts from the box.
2. Attach the fixture cluster (J) to the top of the fixture shade and secure with top loop (I).
3. Install the mounting plate (B) and collar loop (D) to the junction box with mounting screws (C) provided. Using a wrench (not provided) secure the mounting plate (B) and collar loop (D) to the threaded nipple using provided hex nuts.
4. Install the canopy (F) to collar loop (D) and secure with collar ring (G). If needed, adjust canopy height by loosening hex nuts and screwing collar loop (D) up or down then re-secure.
5. With the fixture desired height, shorten the chain (H) as needed using the chain pliers (not included).
6. Open the chain quick link (E), then attach the chain quick link (E) to the collar loop (D). Secure the chain quick link (E).
7. Open the chain quick link (E) from the opposite side then attach to the fixture top loop (I). Secure the chain quick link (E).
8. Weave the fixture wires through the chain (H).
9. When you reach the canopy and the collar loop (D), measure the wires then cut, be certain to leave enough length to connect inside of the junction box.
10. Strip the insulation on the fixture wires about 5/8".
11. Loosen the collar ring (G) and let the canopy (F) slip down the chain (H) carefully.
12. Twist the fixture wires together and push through the center hole of the collar loop (D).
13. Wrap the fixture ground wire to the green ground screw on the mounting plate (B) and secure, then connect to the ground wire in the junction box using the wire nut (A).  
IT IS IMPERATIVE THAT THIS FIXTURE BE GROUNDED.
14. Connect the fixture ribbed wire (no markings) to the neutral wire in the junction box using the wire nut (A).

## ASSEMBLY INSTRUCTIONS



## Hastings Medium Pendant

Item # S 5647

**WE RECOMMEND INSTALLATION OF THIS LIGHTING FIXTURE BE DONE BY A LICENSED ELECTRICIAN.**

**WARNING\*\*\*SWITCH OFF THE MAIN ELECTRICAL SUPPLY FROM THE MAIN FUSE BOX/CIRCUIT BREAKER BEFORE INSTALLATION.**

**INSPECT ITEM CAREFULLY BEFORE ATTEMPTING TO INSTALL. IF THERE IS ANY DAMAGE OR OBVIOUS DEFECT. DO NOT INSTALL.**

**ITEM MAY NOT BE RETURNED ONCE IT HAS BEEN INSTALLED.**

**NOTE: CAREFULLY UNPACK EACH PIECE IN TOP LAYER OF PACKING PRIOR TO REMOVING. RETAIN ALL PACKING MATERIAL UNTIL INSPECTION AND INSTALLATION ARE FINAL.**

- Connect the fixture smooth wire (with markings) to the hot wire in the junction box using the wire nut (A).  
DO NOT REVERSE THE HOT AND NEUTRAL CONNECTIONS OR SAFETY WILL BE COMPROMISED.
- Carefully tuck the wire connections into the junction box.
- Install the canopy (F) to the junction box and secure with the collar ring (G).
- Insert bulbs (not included) into the sockets.
- Installation is complete, turn on power at fuse or circuit breaker.

\*\*\*Clean with a dry, soft cloth only. Use no harsh abrasives or chemical agents.

Note: Shade Option

The shade can be installed up side down, you can follow below steps for change it:

- Loosen the screws (J), then remove the metal shade from the fixture body.
- Turn over the shade, loosen the ball nuts (L), then remove the brackets (M) on the top of the shade (see Fig.2).
- Attach the brackets (K2) (in the parts bag) to the top of the shade and secure with the ball nuts (L) (see Fig.2).
- Loosen the ball nuts (L) on the bottom of the shade and remove the brackets (K1), then attach the brackets (M) to the bottom of the shade and secure with ball nuts (L) (see Fig.2).
- Attach the metal shade to the fixture body and secure with screws (J) (see Fig.1).