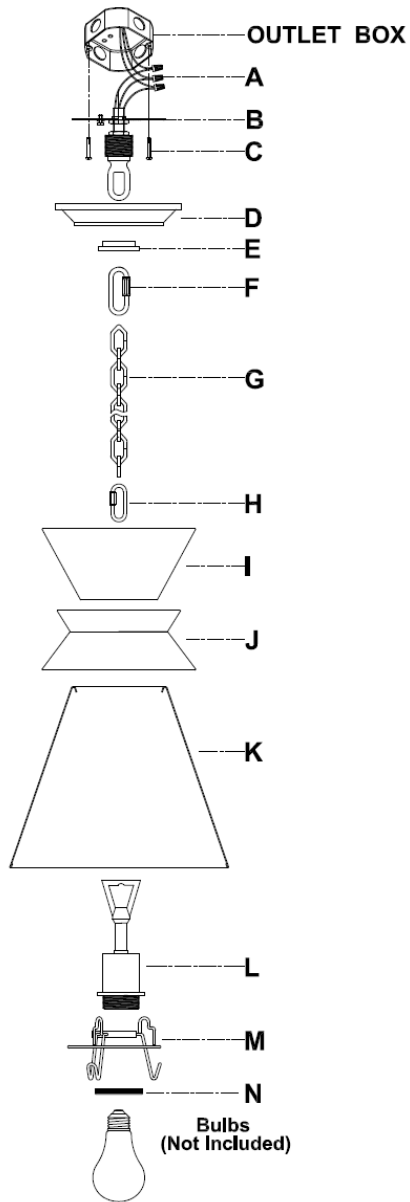


ASSEMBLY INSTRUCTIONS



Alborg Small Stacked Pendant

Item # CHC5240

WE RECOMMEND INSTALLATION OF THIS LIGHTING FIXTURE BE DONE BY A LICENSED ELECTRICIAN.

WARNING***SWITCH OFF THE MAIN ELECTRICAL SUPPLY FROM THE MAIN FUSE BOX/CIRCUIT BREAKER BEFORE INSTALLATION.

INSPECT ITEM CAREFULLY BEFORE ATTEMPTING TO INSTALL. IF THERE IS ANY DAMAGE OR OBVIOUS DEFECT. DO NOT INSTALL.

ITEM MAY NOT BE RETURNED ONCE IT HAS BEEN INSTALLED.

NOTE:CAREFULLY UNPACK EACH PIECE IN TOP LAYER OF PACKING PRIOR TO REMOVING. RETAIN ALL PACKING MATERIAL UNTIL INSPECTION AND INSTALLATION ARE FINAL.

1. Carefully remove all parts from the box.
2. Unscrew the quick link (F) & (H) on the end of chain (G).
3. Unwrap the wiring from the centre box (L), twist power supply with ground wire together to pass through shade (K), (J) & (I), then pass through center hole of lock collar (E), canopy (D) and ceiling loop with crossbar (B).
4. Install the crossbar (B) with ceiling loop to the outlet box by mounting screws (C).
5. Connect the fixture ground (bare) wire with the ground wire from the outlet box using wire nuts (A).
If your house does not have ground wire, then attach this wire to the green Grounding screw Inside of the outlet box.
IT IS IMPERATIVE THAT THIS FIXTURE BE GROUNDED.
6. Connect the fixture Neutral wire (ribbed, no markings) with the neutral wire from the outlet box using wire nuts (A).
7. Connect the fixture Hot (smooth edge, markings) wire with the hot wire from the outlet box using wire nuts (A).
DO NOT REVERSE THE HOT AND NEUTRAL CONNECTIONS OR SAFETY WILL BE COMPROMISED.
8. Hang the quick link (F) to the ceiling loop of crossbar (B), close the quick link (F) and secure with lock collar (E).
9. Fix the shade bracket (M) to the lamp holder (L) by socket ring (N).
10. Place the shade (K), (J) & (I) to the bracket (M), hang the quick link (H) to the lamp holder (L).
11. Insert bulb (not included) into the socket.
12. Installation is complete, turn on power at fuse or circuit breaker.

***Clean with a dry, soft cloth only. Use no harsh abrasives or chemical agents.

