

# ASSEMBLY INSTRUCTIONS

## Alpine Medium Linear Chandelier

Item # ARN 5312

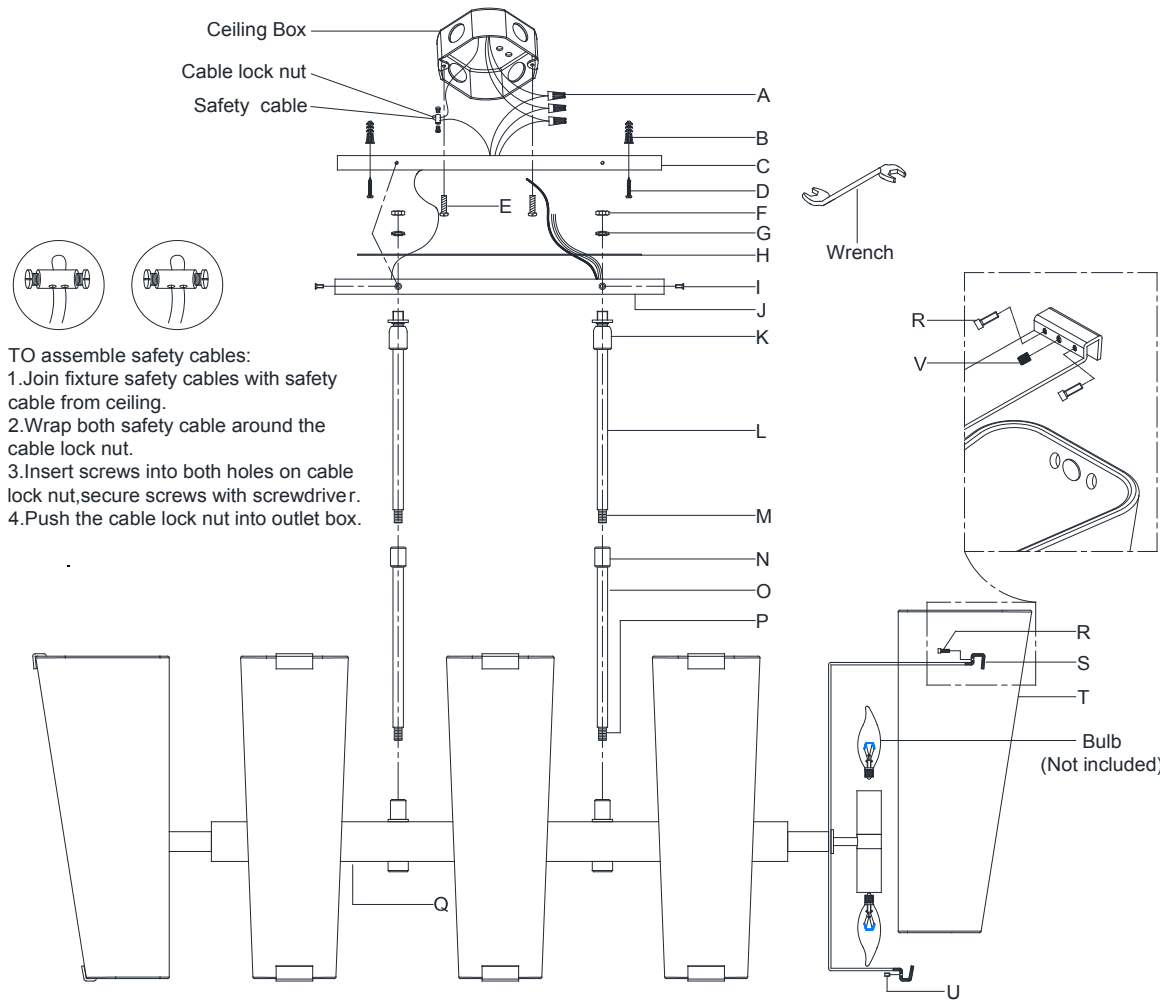
**WE RECOMMEND INSTALLATION OF THIS LIGHTING FIXTURE BE DONE BY A LICENSED ELECTRICIAN.**

**WARNING\*\*\*SWITCH OFF THE MAIN ELECTRICAL SUPPLY FROM THE MAIN FUSE BOX/CIRCUIT BREAKER BEFORE INSTALLATION.**

**INSPECT ITEM CAREFULLY BEFORE ATTEMPTING TO INSTALL. IF THERE IS ANY DAMAGE OR OBVIOUS DEFECT. DO NOT INSTALL.**

**ITEM MAY NOT BE RETURNED ONCE IT HAS BEEN INSTALLED.**

**NOTE: CAREFULLY UNPACK EACH PIECE IN TOP LAYER OF PACKING PRIOR TO REMOVING. RETAIN ALL PACKING MATERIAL UNTIL INSPECTION AND INSTALLATION ARE FINAL.**



- TO assemble safety cables:
1. Join fixture safety cables with safety cable from ceiling.
  2. Wrap both safety cable around the cable lock nut.
  3. Insert screws into both holes on cable lock nut, secure screws with screwdriver.
  4. Push the cable lock nut into outlet box.

1. Carefully remove all parts from the box.
2. Let the tube (O) pass through the threaded nipple (P), then thread the threaded nipple (P) to the fixture body (Q).
3. Let the tube (L) pass through the threaded nipple (M), then thread the threaded nipple (M) to the connector (N).
4. Remove the mounting plate (C) from the canopy (J) by loosening the side screws (I).
5. Attach the canopy (J), metal plate (H) to the joint (K) and secure with lock washer (G), lock nut (F) by using the wrench.
6. Drill 4 holes on the wall and make sure the hole distance will match to the holes on the mounting plate (C) exactly.
7. Knock the anchors (B) into the wall holes.
8. Attach the mounting plate (C) to the outlet box and secure with mounting screws (E), then secure the screws (D) to the anchors (B).
9. Connect the fixture Ground (bare) wire with the ground wire from the outlet box using wire nut (A). If your house does not have ground wire, then attach this wire to the green grounding screw inside of the outlet box.
10. Connect the fixture Neutral (ribbed, no markings) wire with the neutral wire from the outlet box using wire nut (A).
11. Connect the fixture Hot (smooth edge, markings) wire with the hot wire from the outlet box using wire nut (A).

**IT IS IMPERATIVE THAT THIS FIXTURE BE GROUNDED.**

**DO NOT REVERSE THE HOT AND NEUTRAL CONNECTIONS OR SAFETY WILL BE COMPROMISED.**



# ASSEMBLY INSTRUCTIONS

## Alpine Medium Linear Chandelier

Item # ARN 5312

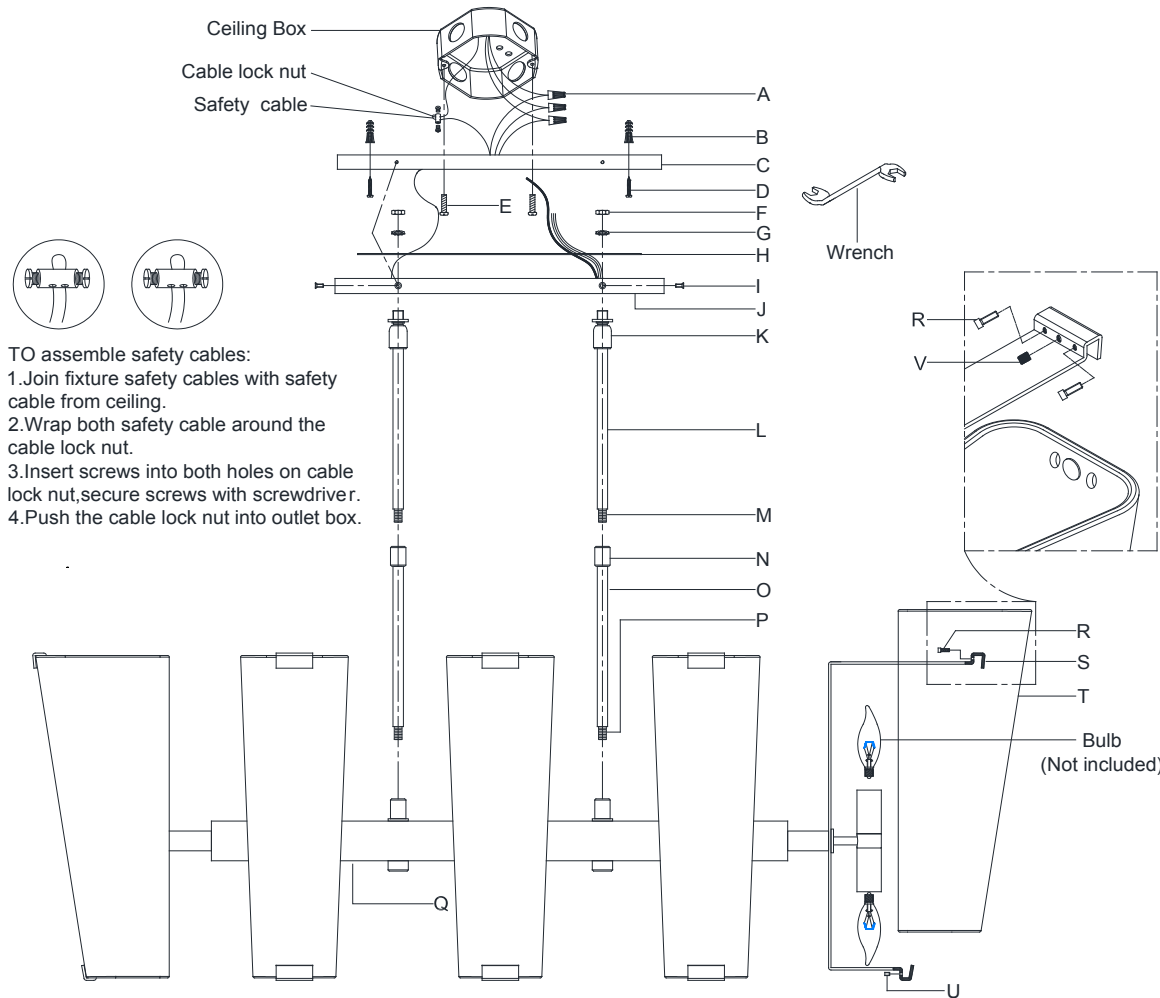
WE RECOMMEND INSTALLATION OF THIS LIGHTING FIXTURE BE DONE BY A LICENSED ELECTRICIAN.

**WARNING\*\*\*SWITCH OFF THE MAIN ELECTRICAL SUPPLY FROM THE MAIN FUSE BOX/CIRCUIT BREAKER BEFORE INSTALLATION.**

**INSPECT ITEM CAREFULLY BEFORE ATTEMPTING TO INSTALL. IF THERE IS ANY DAMAGE OR OBVIOUS DEFECT. DO NOT INSTALL.**

**ITEM MAY NOT BE RETURNED ONCE IT HAS BEEN INSTALLED.**

**NOTE: CAREFULLY UNPACK EACH PIECE IN TOP LAYER OF PACKING PRIOR TO REMOVING. RETAIN ALL PACKING MATERIAL UNTIL INSPECTION AND INSTALLATION ARE FINAL.**



TO assemble safety cables:

1. Join fixture safety cables with safety cable from ceiling.
2. Wrap both safety cable around the cable lock nut.
3. Insert screws into both holes on cable lock nut, secure screws with screwdriver.
4. Push the cable lock nut into outlet box.

12. Tuck these wire connections neatly into the outlet box to secure.

13. Attach canopy (J) to the mounting plate (C) and secure with side screws (I).

14. Insert bulbs (not included) into the sockets.

15. Attach the glass shade (T) to the fixture body (Q) and secure with metal bar (S) and screws (R & U & V).

16. Installation is complete, turn on power at fuse or circuit breaker.

\*\*\*Clean with a dry, soft cloth only. Use no harsh abrasives or chemical agents.

