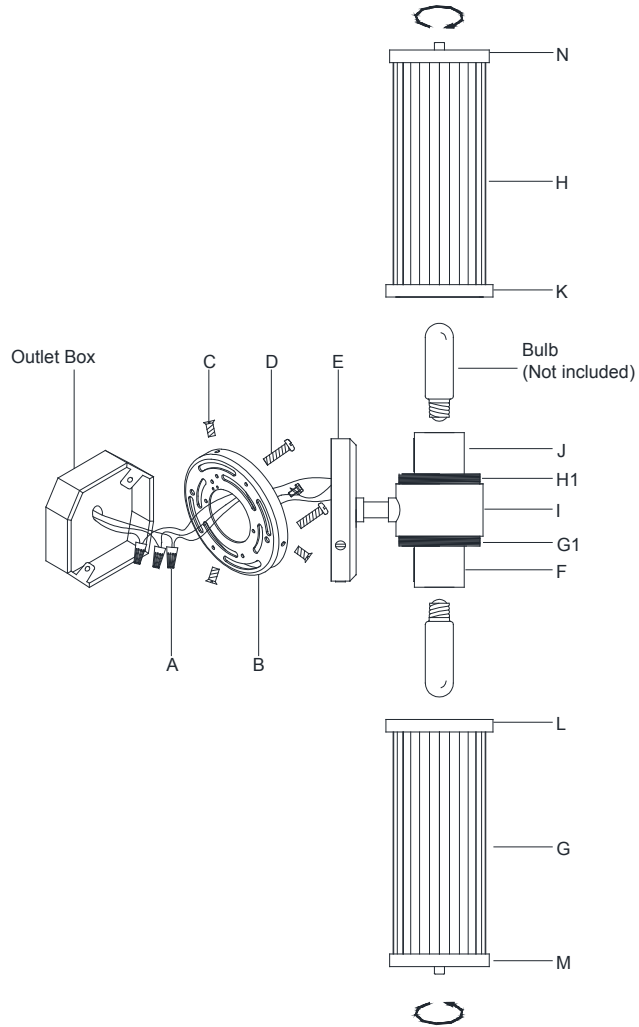


# ASSEMBLY INSTRUCTIONS



## Allen Double Light Sconce

Item # RL 2082

**WE RECOMMEND INSTALLATION OF THIS LIGHTING FIXTURE BE DONE BY A LICENSED ELECTRICIAN.**

**WARNING\*\*\*SWITCH OFF THE MAIN ELECTRICAL SUPPLY FROM THE MAIN FUSE BOX/CIRCUIT BREAKER BEFORE INSTALLATION.**

**INSPECT ITEM CAREFULLY BEFORE ATTEMPTING TO INSTALL. IF THERE IS ANY DAMAGE OR OBVIOUS DEFECT. DO NOT INSTALL.**

**ITEM MAY NOT BE RETURNED ONCE IT HAS BEEN INSTALLED.**

**NOTE: CAREFULLY UNPACK EACH PIECE IN TOP LAYER OF PACKING PRIOR TO REMOVING. RETAIN ALL PACKING MATERIAL UNTIL INSPECTION AND INSTALLATION ARE FINAL.**

- Carefully remove all parts from the box.
- Remove the mounting plate (B) from the fixture body (E) by loosening side screws (C).
- Affix mounting plate (B) onto the outlet box and secure with mounting screws (D).
- Connect the hot wire (BLACK) from the fixture to the hot wire from the outlet box (usually BLACK). Fasten them together with a plastic wire connector (A) provided and wrap the connection with electrical tape.

- Connect the neutral wire (WHITE) from the fixture to the wire from the outlet box (usually WHITE).

DO NOT REVERSE THE HOT AND NEUTRAL CONNECTIONS OR SAFETY WILL BE COMPROMISED.

- Connect ground wire from the fixture (bare copper) to ground wire from the outlet box (usually green or copper in color).

IT IS IMPERATIVE THAT THIS FIXTURE BE GROUNDED.

- Attach the fixture body (E) onto the mounting plate (B) and secure with side screws (C).
- Insert bulbs (not included) into the socket (J & F).
- Attach the glass frame (H) to the top of the fixture (H1).
- Attach the glass frame (G) to the bottom of the fixture (G1).

Do not touch glass frame (H & G) and top cap (N & M), only hold bottom ring (K & L) during assembly.

- Installation is complete, turn on power at fuse or circuit breaker.

\*\*\*Clean with a dry, soft cloth only. Use no harsh abrasives or chemical agents.



# RALPH LAUREN