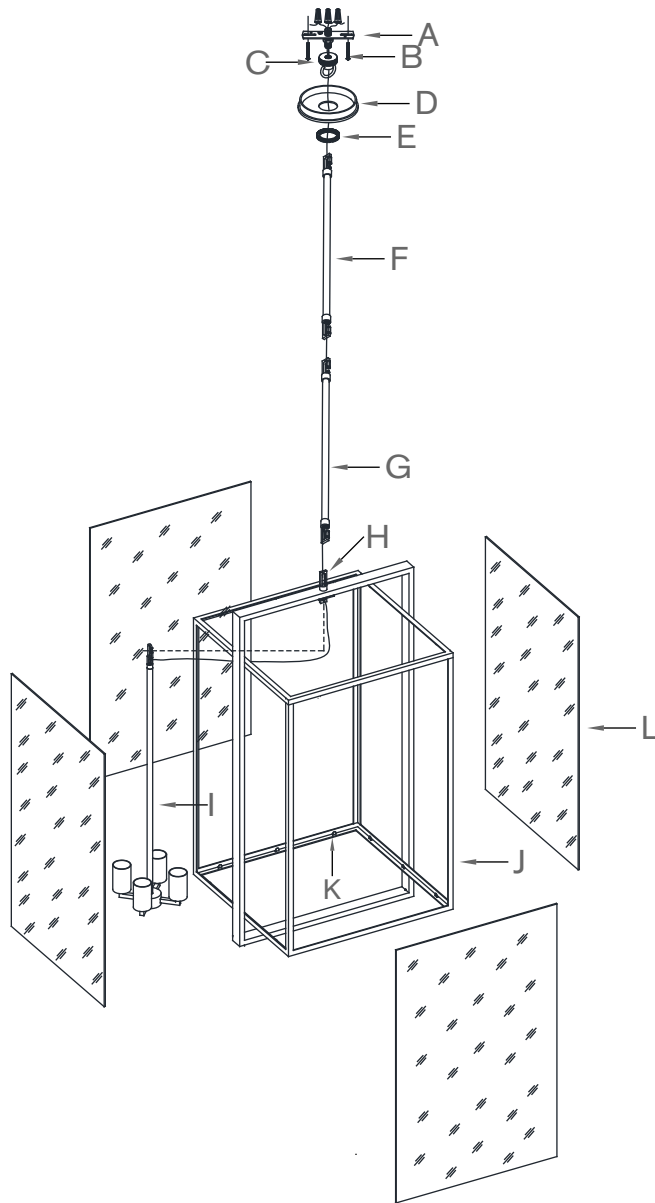


ASSEMBLY INSTRUCTIONS



Halle Medium Lantern

Item # S 5193

WE RECOMMEND INSTALLATION OF THIS LIGHTING FIXTURE BE DONE BY A LICENSED ELECTRICIAN.

WARNING * SWITCH OFF THE MAIN ELECTRICAL SUPPLY FROM THE MAIN FUSE BOX/CIRCUIT BREAKER BEFORE INSTALLATION.**

INSPECT ITEM CAREFULLY BEFORE ATTEMPTING TO INSTALL. IF THERE IS ANY DAMAGE OR OBVIOUS DEFECT, DO NOT INSTALL.

ITEM MAY NOT BE RETURNED ONCE IT HAS BEEN INSTALLED.

1. Carefully remove all parts from the carton.
2. Hook the socket assembly (I) onto the inner hook of lantern cage (J).
3. Feed wire through all of the connection rod (G), (F) and mounting loop (C).
4. To install glass panels (L) into lantern cage (J), make sure the metal tabs (K) are flipped against the lantern cage (J) and secure the glass panels (L) by bending back the metal tabs (K) downwards the glass panels (L).
5. Hook connection rod (G) on top loop (H) on top of lantern cage (J).
6. Hook connection rod (F) on top of connection rod (G).
7. Hook connection rod (F) to mounting loop (C).
8. Unscrew canopy ring (E), slide canopy ring (E) and canopy (D) on connection rod (F).
9. Attach mounting strap (A) to ceiling outlet box and secure with mounting screws (B).
10. Attach mounting loop (C) to thread nipple in center of mounting strap (A).
11. Attach the bare copper ground wire from the fixture to the ground junction box wire (usually green or copper), fasten together with a plastic wire connector. Tightly wrap the wire connector with electrical tape. Be sure no wire strands are exposed. **IT IS IMPERATIVE THAT THE OUTLET BOX IN YOUR HOME BE PROPERLY GROUNDED.**
12. Connect neutral wire from fixture (ridges molded wire) to the neutral wire from the junction box (usually white). Fasten both wires together with a plastic wire connector and tightly wrap the wire connector with electrical tape. Be sure no wire strands are exposed.
13. Connect the hot wire from the fixture (smooth wire) to the hot wire (usually black) from the junction box. Fasten both together with a plastic wire connector and wrap the connection with electrical tape. **DO NOT REVERSE THE HOT AND NEUTRAL CONNECTIONS OTHERWISE SAFETY WILL BE COMPROMISED.**
14. Tuck the wire connections neatly into the ceiling outlet box.
15. Slip canopy (D) to ceiling and secure with canopy ring (E).
16. Insert light bulbs into sockets.
17. Restore power and test fixture. Installation is complete.

*** Clean with a dry, soft cloth only. Use no harsh abrasives or chemical agents.