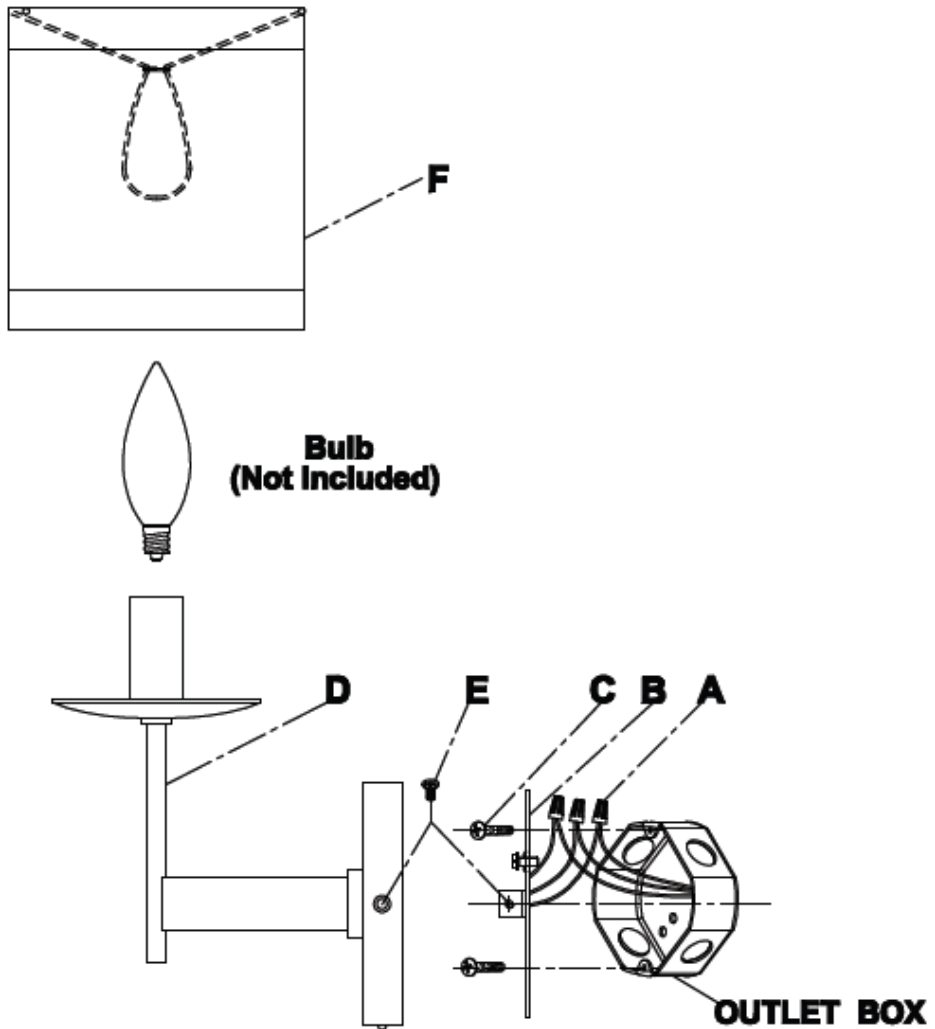


ASSEMBLY INSTRUCTIONS



Walker Small Sconce

Item # KS2070

WE RECOMMEND INSTALLATION OF THIS LIGHTING FIXTURE BE DONE BY A LICENSED ELECTRICIAN.

WARNING***SWITCH OFF THE MAIN ELECTRICAL SUPPLY FROM THE MAIN FUSE BOX/ CIRCUIT BREAKER BEFORE INSTALLATION.

INSPECT ITEM CAREFULLY BEFORE ATTEMPTING TO INSTALL. IF THERE IS ANY DAMAGE OR OBVIOUS DEFECT. DO NOT INSTALL.

ITEM MAY NOT BE RETURNED ONCE IT HAS BEEN INSTALLED.

NOTE: CAREFULLY UNPACK EACH PIECE IN TOP LAYER OF PACKING PRIOR TO REMOVING. RETAIN ALL PACKING MATERIAL UNTILL INSPECTION AND INSTALLATION ARE FINAL.

1. Carefully remove all parts from the box.
2. Guide wiring from wall outlet through centre hole in mounting plate (B).
3. Affix mounting plate (B) to wall outlet box with mounting screws (C).
4. Connect the ground wire of the fixture to the ground wire in the outlet box. Connect the hot wire to the hot wire in the outlet box and connect the neutral wire to the neutral wire in the outlet box with the wire nuts(A).
5. DO NOT REVERSE THE HOT AND NEUTRAL CONNECTIONS OR SAFETY WILL BE COMPROMISED.
6. Attach fixture base to the affixed mounting plate (B), and secure with base screws (E).
7. Install bulb (not included) to the socket.
8. Install shade (F) to the bulb by the clip.
9. Installation is complete, turn on power at fuse or circuit breaker.

***Clean with a dry, soft cloth only. Use no harsh abrasives or chemical agents.

