

ASSEMBLY INSTRUCTIONS

Paulo Small Bracket Light

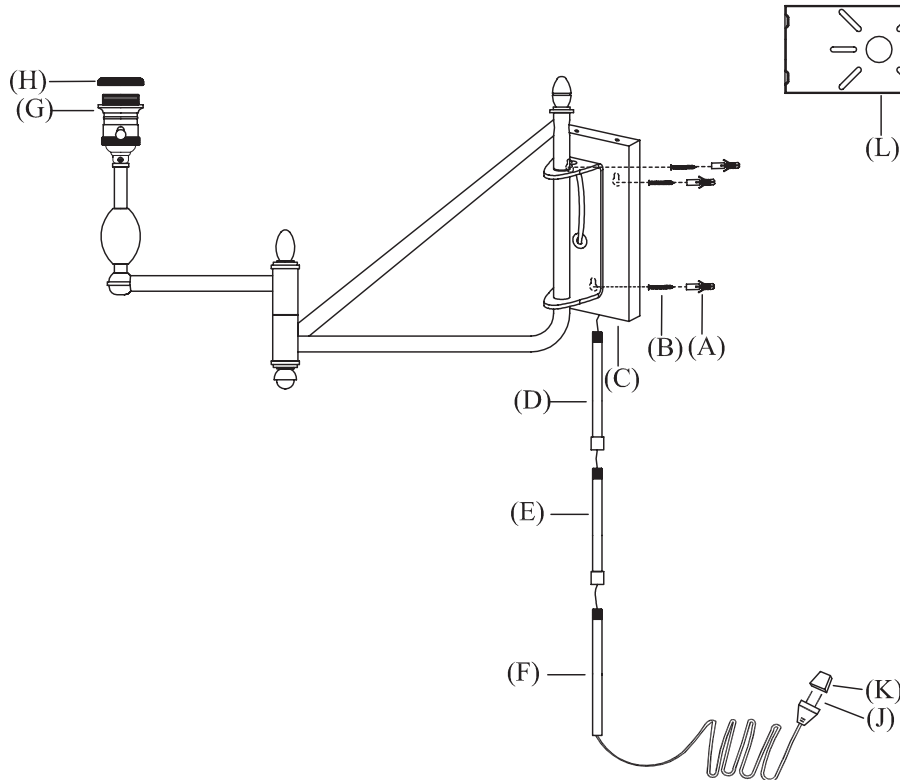
Item # TOB2203

WE RECOMMEND INSTALLATION OF THIS LIGHTING FIXTURE BE DONE BY A LICENSED ELECTRICIAN.

WARNING * SWITCH OFF THE MAIN ELECTRICAL SUPPLY FROM THE MAIN FUSE BOX/CIRCUIT BREAKER BEFORE INSTALLATION.**

INSPECT ITEM CAREFULLY BEFORE ATTEMPTING TO INSTALL. IF THERE IS ANY DAMAGE OR OBVIOUS DEFECT, DO NOT INSTALL.

ITEM MAY NOT BE RETURNED ONCE IT HAS BEEN INSTALLED.



1. Remove white plastic bushing inside of the threaded hole before attaching the cord cover (D) to the lamp. The threaded hole is at the bottom side of the lamp base (C).
2. Attach cord cover (D) to bottom of lamp base (C) by turning (D) in counter-clockwise direction.
3. Attach cord cover (E) to bottom of (D) by turning (E) in counter-clockwise direction.
4. Attach cord cover (F) to bottom of (E) by turning (F) in counter-clockwise direction.
5. Place mounting plate (L) on the wall, use it as a template, and mark three keyhole locations on the wall. Make sure the upper two hole marks are level with each other. Remove cardboard.
6. Drill center holes on each marked locations on the wall, each hole should be large enough to accommodate the plastic anchors (A). Install plastic anchors (A) into the holes.
7. Insert mounting screws (B) into three plastic anchors (A) with a screwdriver. Make sure screw heads and 1/8" long threads are showing.
8. Hook lamp base (C) to the affixed mounting screws (B) by aligning the holes on backside of lamp base (A) with three screw heads. Readjust mounting screws (B) if needed to achieve a secure fit.
9. Remove socket ring (H) from threaded socket (G).



ASSEMBLY INSTRUCTIONS

Paulo Small Bracket Light

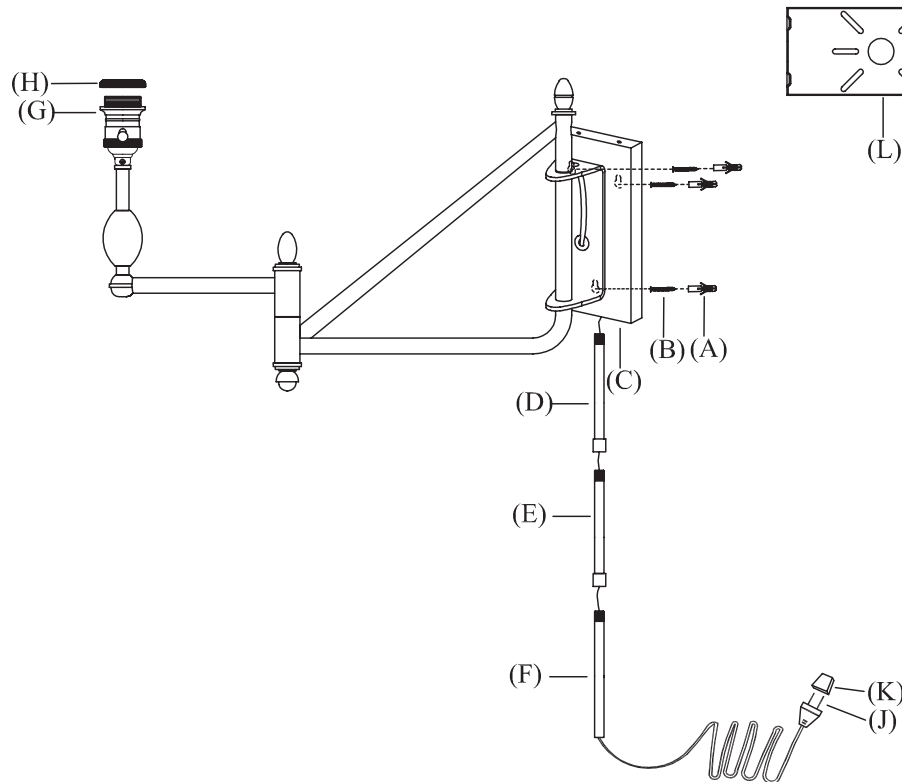
Item # TOB2203

WE RECOMMEND INSTALLATION OF THIS LIGHTING FIXTURE BE DONE BY A LICENSED ELECTRICIAN.

WARNING * SWITCH OFF THE MAIN ELECTRICAL SUPPLY FROM THE MAIN FUSE BOX/CIRCUIT BREAKER BEFORE INSTALLATION.**

INSPECT ITEM CAREFULLY BEFORE ATTEMPTING TO INSTALL. IF THERE IS ANY DAMAGE OR OBVIOUS DEFECT, DO NOT INSTALL.

ITEM MAY NOT BE RETURNED ONCE IT HAS BEEN INSTALLED.



10. Place lamp shade (not included) over threaded socket (G) and secure with socket ring (H).
11. Insert light bulb into socket.
12. Remove protective plastic (K) from electrical plug (J).
13. Plug lamp into wall outlet box.