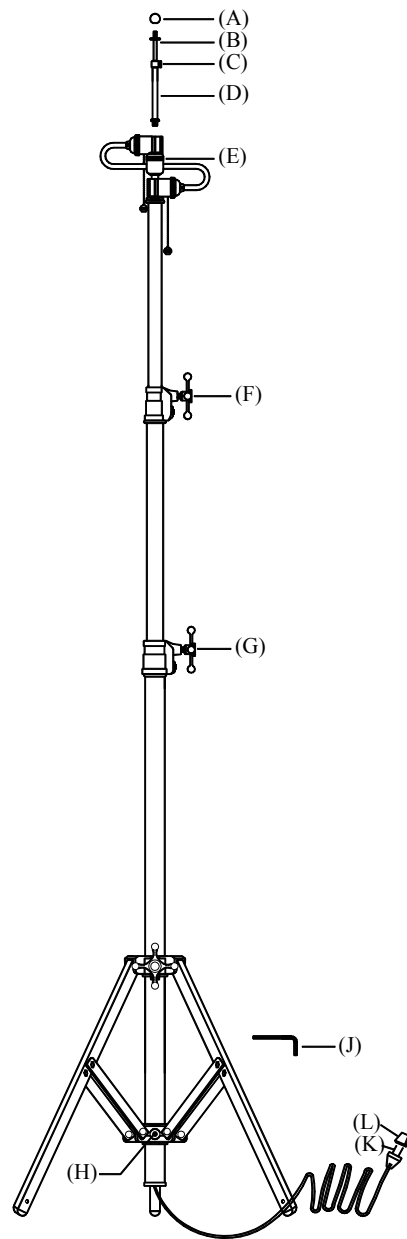


# TOB1010

## ASSEMBLY & INSTALLATION GUIDE



**INSPECT ITEM CAREFULLY BEFORE ATTEMPTING TO INSTALL. IF THERE IS ANY DAMAGE OR OBVIOUS DEFECT, DO NOT INSTALL.**

**ITEM MAY NOT BE RETURNED ONCE IT HAS BEEN INSTALLED.**

1. Loosen set screw (H) using allen key (J), adjust tripod base to desired height, tighten the set screw with allen key (J).
2. Thread rod (D) into top threaded opening of part (E).
3. Remove finial (A) from rod (B), place lamp shade (not included) over top threaded section of rod (B), and secure with finial (A).
4. Remove protective plastic (L) from electrical plug (K).
5. Insert light bulbs into sockets
6. Plug lamp into wall outlet.
7. ADJUSTMENT INSTRUCTIONS:
  - 1) Loosen adjustment key (C), (F) or (G) found on lamp stem.
  - 2) Adjust height by pulling or pushing lamp pole up or down to desired height.
  - 3) Tighten the adjustment keys.