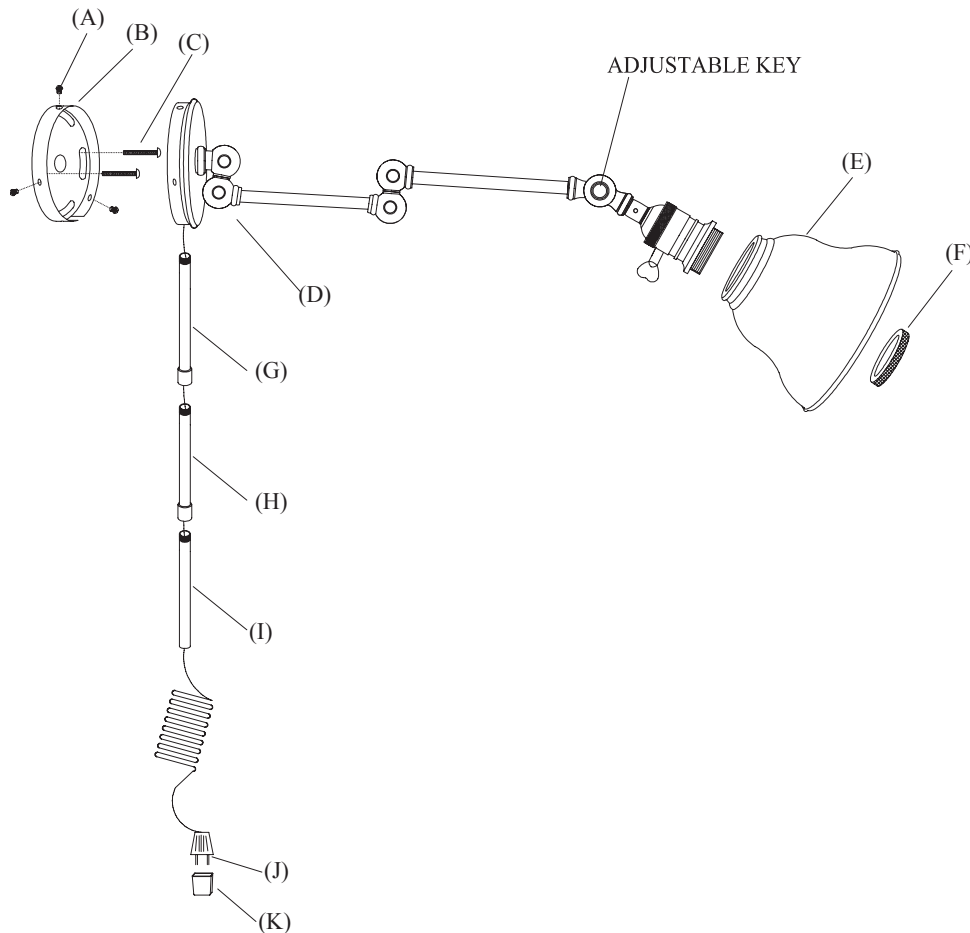


ASSEMBLY INSTRUCTIONS



Boston Swing Arm

Item # SL2920

WE RECOMMEND INSTALLATION OF THIS LIGHTING FIXTURE BE DONE BY A LICENSED ELECTRICIAN.

WARNING * SWITCH OFF THE MAIN ELECTRICAL SUPPLY FROM THE MAIN FUSE BOX/CIRCUIT BREAKER BEFORE INSTALLATION.**

INSPECT ITEM CAREFULLY BEFORE ATTEMPTING TO INSTALL. IF THERE IS ANY DAMAGE OR OBVIOUS DEFECT, DO NOT INSTALL.

ITEM MAY NOT BE RETURNED ONCE IT HAS BEEN INSTALLED.

1. Remove the mounting plate (B) from the base of the lighting fixture (D) by removing the base screws (A).
2. Affix the mounting plate (B) to the wall with the mounting plate screws (C).
3. Attach fixture (D) to the mounting plate (B). Tighten fixture (D) with the screws (A).
4. Attach cord cover (G) to bottom of light base by turning (G) in counter-clockwise direction.
5. Attach cord cover (H) to bottom of (H) by turning (I) in counter-clockwise direction and attach cord cover (I) to bottom of (H) by turning (I) in counter-clockwise direction.
6. Remove socket ring (F) from socket.
7. Put shade (E) onto the top of socket and tighten with socket ring (F).
8. Insert light bulb (not included) into socket.
9. Remove protective plastic covering (K) from electrical prongs (J)
10. Plug lamp cord into wall outlet.
11. ADJUSTMENT INSTRUCTIONS:
 - 1.) Loosen adjustable key found on the swivel.
 - 2.) Adjust height by moving the arm up or down to desired position.
 - 3.) Tighten adjustable key.

