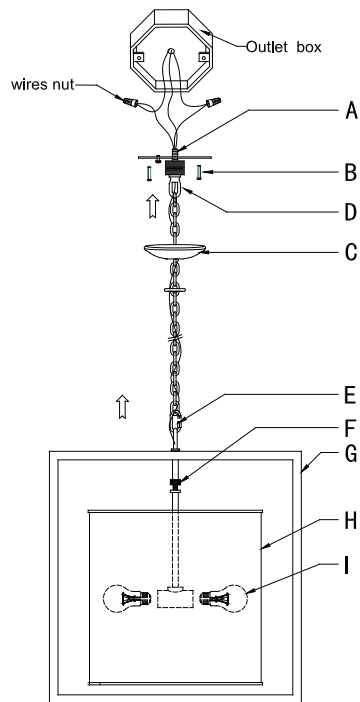
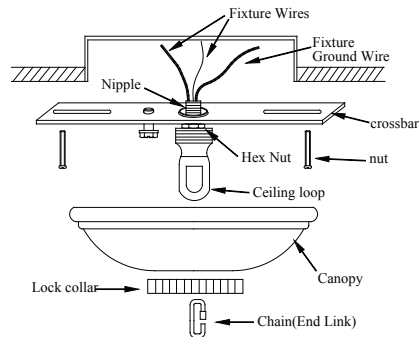


ASSEMBLY INSTRUCTIONS



Caged Medium Lantern

Item # SC5160

WE RECOMMEND INSTALLATION OF THIS LIGHTING FIXTURE BE DONE BY A LICENSED ELECTRICIAN.

WARNING * SWITCH OFF THE MAIN ELECTRICAL SUPPLY FROM THE MAIN FUSE BOX/CIRCUIT BREAKER BEFORE INSTALLATION.**

INSPECT ITEM CAREFULLY BEFORE ATTEMPTING TO INSTALL. IF THERE IS ANY DAMAGE OR OBVIOUS DEFECT, DO NOT INSTALL.

ITEM MAY NOT BE RETURNED ONCE IT HAS BEEN INSTALLED.

1. Remove the parts carefully from the box.
2. Attach shade spider washer (H) to the thread nipple in the pipe of cluster, then turn the check ring (F) clockwise to secure the shade.
3. Hang body frame loop to end link (E) of chain, then lock the link nut.
4. Install bulbs (not included) into sockets.
5. Provide a 1/4" IPS pipe with one end securely mounted to a beam or a structural member. The other end should protrude through the center of the outlet box as shown.
6. Assemble the ceiling loop, nipple, nuts and hickey to center 1/4"IPS support pipe and adjust overall length to allow the lock collar to hold the canopy flush to the ceiling. When the adjustments have been completed, secure the three (3) nuts, as shown.
7. Attach the chain to the fixture loop. Slip the lock collar and canopy over the upper end of the chain. Open the end link of the chain and lift the fixture to attach to the ceiling loop and secure the link.
8. Lace the fixture wires, ground and safety cable through the chain and loop, exiting through the side of hickey. Run the safety cable through the top of the outlet box and secure to structural member.
9. At this point, connect the electrical wires as shown in Fig.3 making sure all wire nuts are secured. You May have to wrap the connections with electrical tape. If your outlet has a ground wire (green or bare copper) connects fixture's ground wire to it. Otherwise connect fixture's ground wire directly to the junction box.
10. Tuck these wire connections neatly into the ceiling junction box.
11. Raise the lock collar and thread onto ceiling loop protruding through canopy.

