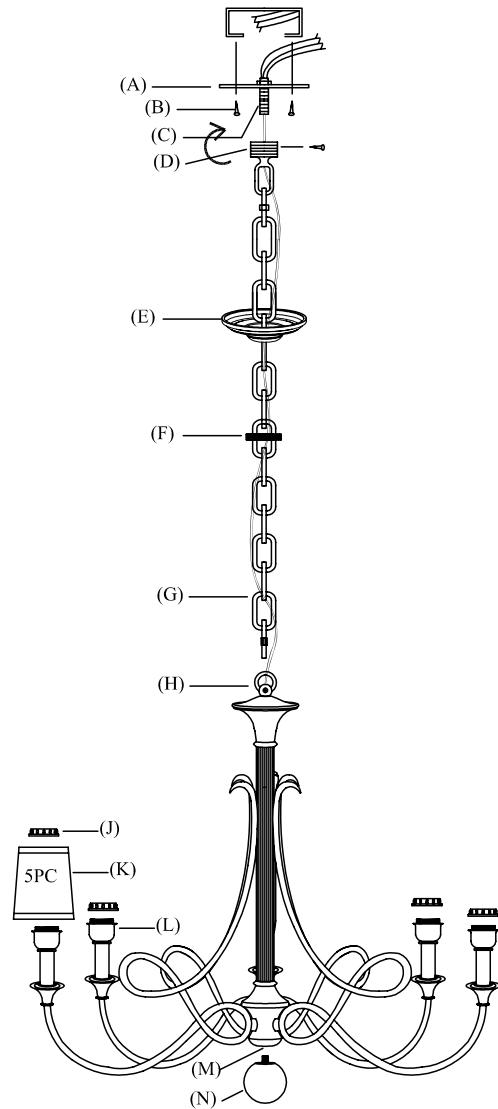


## ASSEMBLY INSTRUCTIONS



## Double Twist Large Chandelier

Item # SC5005

**WE RECOMMEND INSTALLATION OF THIS LIGHTING FIXTURE BE DONE BY A LICENSED ELECTRICIAN.**

**WARNING \*\*\* SWITCH OFF THE MAIN ELECTRICAL SUPPLY FROM THE MAIN FUSE BOX/CIRCUIT BREAKER BEFORE INSTALLATION.**

**INSPECT ITEM CAREFULLY BEFORE ATTEMPTING TO INSTALL. IF THERE IS ANY DAMAGE OR OBVIOUS DEFECT, DO NOT INSTALL.**

**ITEM MAY NOT BE RETURNED ONCE IT HAS BEEN INSTALLED.**

1. Attach mounting strap (A) to ceiling outlet box using mounting screws (B).
2. Attach nipple (C) into mounting strap (A) and lock into place using included nut.
3. Screw ball finial (N) into bottom of the fixture body (M).
4. Attach chain (G) to top loop (H) on fixture body by opening/closing end link of chain. Feed wire through chain and mounting loop.
5. Unscrew canopy ring (F), slide canopy ring (F) and canopy (E) on chain (G).
6. Open the top end link of chain and screw chain mounting loop (D) to the nipple using set screw and hook the chain (G) to chain mounting loop (D) by closing the end cut link.
7. Attach the ground wire (silver or brass in color) from the fixture to the ground junction box wire (usually green or copper wire). Fasten together with a plastic wire connector and wrap the connection with electrical tape. Be sure no wire strands are exposed. It is imperative that the outlet box in your home be properly grounded. Be sure no wire strands are exposed.
8. Connect the neutral wire from the fixture (ridges molded wire) to the neutral wire from the junction box (usually white). Fasten together with a plastic wire connector and wrap the connection with electrical tape. Be sure no wire strands are exposed.
9. Connect the hot wire from the fixture (smooth wire) to the hot wire (usually black) from the junction box. Fasten each together with a plastic wire connector and wrap the connection with electrical tape. Be sure that no wire strands are exposed.

DO NOT REVERSE THE HOT AND NEUTRAL CONNECTIONS  
OTHERWISE SAFETY WILL BE COMPROMISED.

## ASSEMBLY INSTRUCTIONS

### Double Twist Large Chandelier

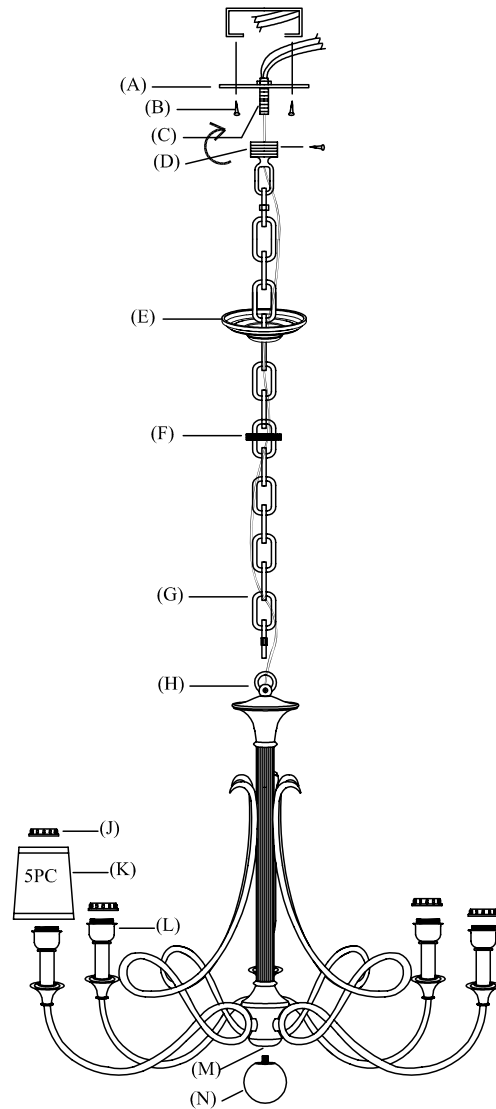
Item # SC5005

**WE RECOMMEND INSTALLATION OF THIS LIGHTING FIXTURE BE DONE BY A LICENSED ELECTRICIAN.**

**WARNING \*\*\* SWITCH OFF THE MAIN ELECTRICAL SUPPLY FROM THE MAIN FUSE BOX/CIRCUIT BREAKER BEFORE INSTALLATION.**

**INSPECT ITEM CAREFULLY BEFORE ATTEMPTING TO INSTALL. IF THERE IS ANY DAMAGE OR OBVIOUS DEFECT, DO NOT INSTALL.**

**ITEM MAY NOT BE RETURNED ONCE IT HAS BEEN INSTALLED.**



1. Slip canopy (E) to ceiling and secure with threaded canopy ring (F).
2. Remove socket rings (J) from top of sockets (L).
3. Attach lamp shades (K) to the threaded sockets (L) and secure with socket ring (J).
4. Install bulb of correct type and wattage. See label on lamp.