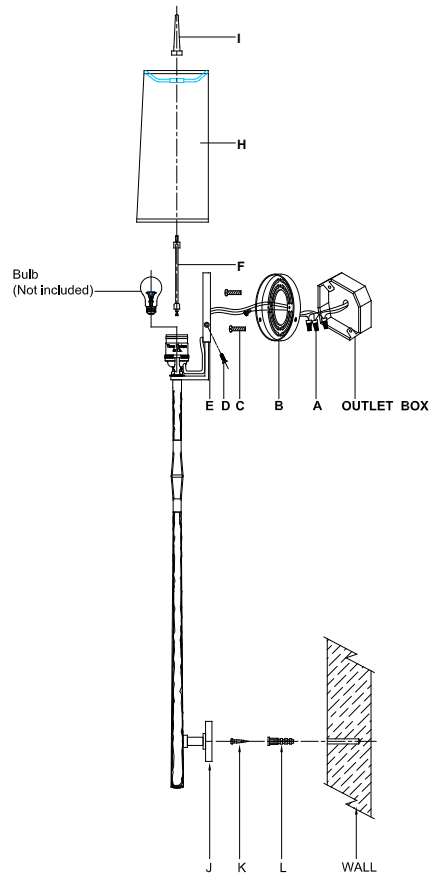


ASSEMBLY INSTRUCTIONS



Cranston Large Sconce

Item # S2408

WE RECOMMEND INSTALLATION OF THIS LIGHTING FIXTURE BE DONE BY A LICENSED ELECTRICIAN.

WARNING***SWITCH OFF THE MAIN ELECTRICAL SUPPLY FROM THE MAIN FUSE BOX/CIRCUIT BREAKER BEFORE INSTALLATION.

INSPECT ITEM CAREFULLY BEFORE ATTEMPTING TO INSTALL. IF THERE IS ANY DAMAGE OR OBVIOUS DEFECT. DO NOT INSTALL.

ITEM MAY NOT BE RETURNED ONCE IT HAS BEEN INSTALLED.

1. Carefully remove all parts from the box.
2. Remove the mounting plate (B) from the backplate (E) by loosening the side screws (D).
3. Affix mounting plate (B) to the outlet box and secure with mounting screws (C).
4. Drill a hole on the wall and make sure the distance will match to the fixture exactly.
5. Attach anchor (L) onto the wall hole.
6. Install the screw (K) into the anchor (L).
7. Connect the hot wire (BLACK) from the fixture to the hot wire from the outlet box (usually BLACK). Fasten them together with a plastic wire connector (A) provided and wrap the connection with electrical tape.
8. Repeat this procedure for the neutral wire (WHITE) from the fixture to the neutral wire from the outlet box (usually WHITE).
DO NOT REVERSE THE HOT AND NEUTRAL CONNECTIONS OR SAFETY WILL BE COMPROMISED.
9. Connect ground wire from the fixture (bare copper) to ground wire from the outlet box (usually green or copper in color).
IT IS IMPERATIVE THAT THIS FIXTURE BE GROUNDED.
10. Hang the bottom plate (J) onto screw (K).
11. Attach the backplate (E) to the mounting plate (B) and secure with side screws (D).
12. Put the harp (F) to the saddle.
13. Insert bulb (not included) into the socket.
14. Place shade (H) to the harp (F) and secure with finial (I).
15. Installation is complete, turn on power at fuse or circuit breaker.

***Clean with a dry, soft cloth only. Do not use harsh abrasives or chemical agents.

