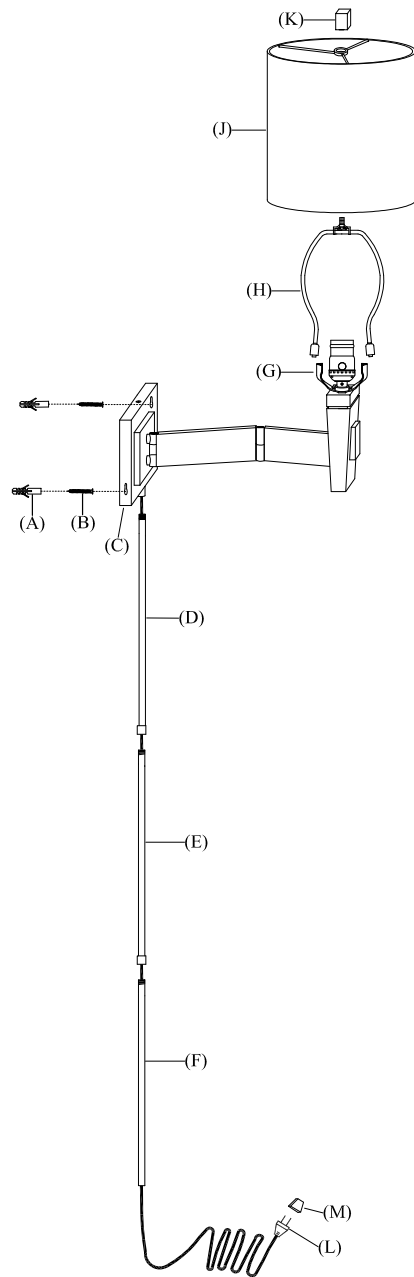


# PT2000

## ASSEMBLY & INSTALLATION GUIDE



**INSPECT ITEM CAREFULLY BEFORE ATTEMPTING TO INSTALL. IF THERE IS ANY DAMAGE OR OBVIOUS DEFECT, DO NOT INSTALL.**

**ITEM MAY NOT BE RETURNED ONCE IT HAS BEEN INSTALLED.**

1. Screw threaded nipple of cord cover (D) into bottom threaded opening of back plate (C). Thread cord cover (E) into cord cover (D), thread cord cover (F) to cord cover (E) and hand tighten.
2. Measure center points between both mounting holes at back of fixture base (C). Mark two points with same distance on the wall, make sure they are vertical with each other.
3. Drill small holes at both points, hole should be big enough to accommodate with plastic anchors (A). Install plastic anchors (A) into the holes in the wall.
4. Insert mounting screws (B) into plastic anchors (A), make sure screw head 1/8" threads are visible.
5. Hook fixture base (C) onto both screws (B).
6. Insert harp (H) into harp saddle (G) by squeezing both sides of the harp.
7. Remove finial (K) from harp (H), place lamp shade (J) onto the bolt attached on top of harp (H). Screw finial (K) to the bolt to secure lamp shade (J) to harp (H).
8. Insert light bulb into socket.
9. Remove plastic cover (M) from electrical plug (L).
10. Plug lamp into wall outlet.