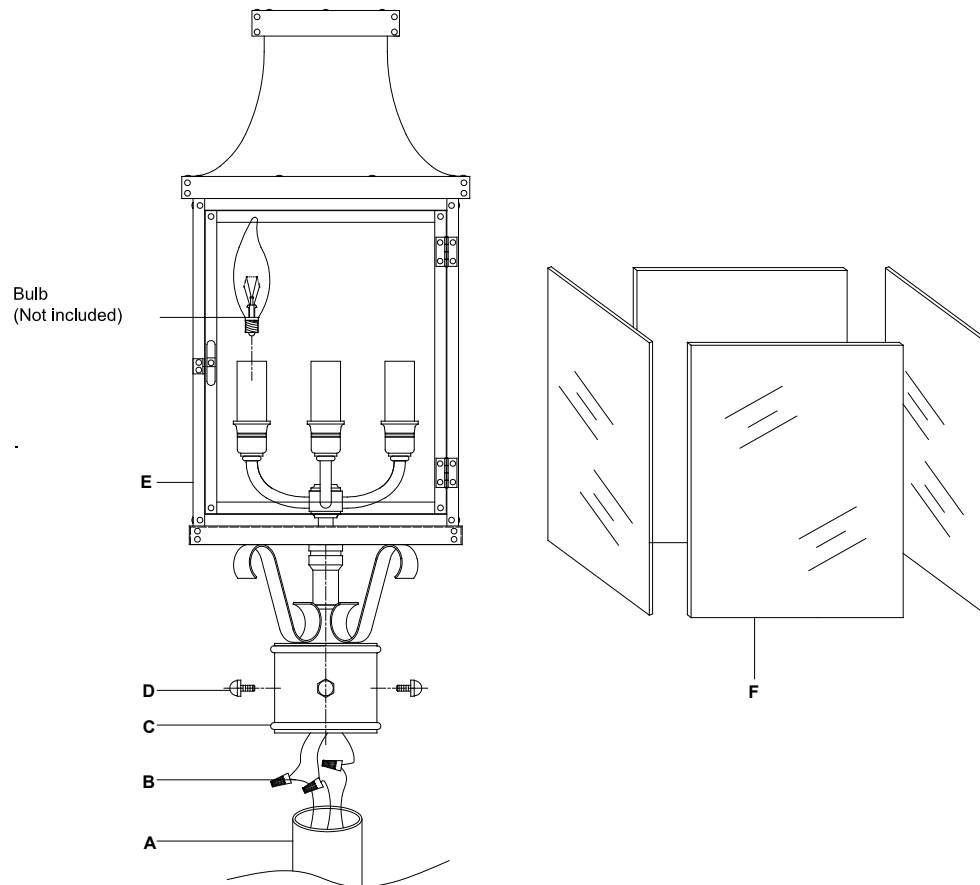


ASSEMBLY INSTRUCTIONS



Bedford Post Lantern

Item # CHO 7820

WE RECOMMEND INSTALLATION OF THIS LIGHTING FIXTURE BE DONE BY A LICENSED ELECTRICIAN.

WARNING***SWITCH OFF THE MAIN ELECTRICAL SUPPLY FROM THE MAIN FUSE BOX/CIRCUIT BREAKER BEFORE INSTALLATION.

INSPECT ITEM CAREFULLY BEFORE ATTEMPTING TO INSTALL. IF THERE IS ANY DAMAGE OR OBVIOUS DEFECT. DO NOT INSTALL.

ITEM MAY NOT BE RETURNED ONCE IT HAS BEEN INSTALLED.

NOTE: CAREFULLY UNPACK EACH PIECE IN TOP LAYER OF PACKING PRIOR TO REMOVING. RETAIN ALL PACKING MATERIAL UNTIL INSPECTION AND INSTALLATION ARE FINAL.

1. Carefully remove all parts from the box.
2. Put the lantern onto the post.
3. Connect the fixture Ground (bare) wire with the ground wire from the outlet box using wire nut (B). If your house does not have ground wire, then attach this wire to the green grounding screw inside of the outlet box.

IT IS IMPERATIVE THAT THIS FIXTURE BE GROUNDED.
4. Connect the fixture Neutral wire (WHITE) with the neutral wire from the outlet box using wire nut (B).
5. Connect the fixture Hot (BLACK) wire with the hot wire from the outlet box using wire nut (B).

DO NOT REVERSE THE HOT AND NEUTRAL CONNECTIONS OR SAFETY WILL BE COMPROMISED.
6. Tuck wire connections neatly into bottom box.
7. Use provided screw (D) to fix the lantern on the post.
8. Insert bulbs (not included) into the sockets.
9. Place glass panels (F) on the frame (E) and screw it by bending the metal tabs.
10. Installation is complete, turn on power at fuse or circuit breaker.

***Clean with a dry, soft cloth only. Do not use harsh abrasives or chemical agents.

