

ASSEMBLY INSTRUCTIONS

Dublin Tall Faceted Sconce

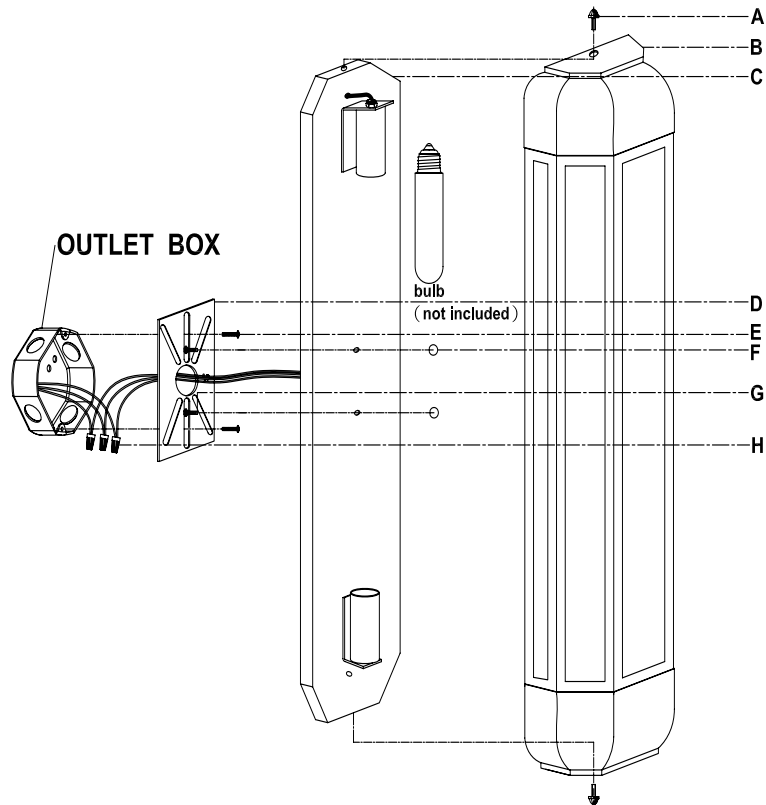
Item # CHO2007

WE RECOMMEND INSTALLATION OF THIS LIGHTING FIXTURE BE DONE BY A LICENSED ELECTRICIAN.

WARNING * SWITCH OFF THE MAIN ELECTRICAL SUPPLY FROM THE MAIN FUSE BOX/CIRCUIT BREAKER BEFORE INSTALLATION.**

INSPECT ITEM CAREFULLY BEFORE ATTEMPTING TO INSTALL. IF THERE IS ANY DAMAGE OR OBVIOUS DEFECT, DO NOT INSTALL.

ITEM MAY NOT BE RETURNED ONCE IT HAS BEEN INSTALLED.



1. Carefully remove all parts from the box.
2. Remove the mounting plate (D) from backplate (C) by unscrewing the cap nuts (F).
3. Affix the mounting plate (D) to the outlet box by tightening the mounting screws (E).
4. Connect the hot wire (BLACK) from the fixture to the wire from the outlet box (usually BLACK) using wire nuts (H).
5. Connect the neutral wire (WHITE) from the fixture to the wire from the outlet box (usually WHITE) using wire nuts (H).
DO NOT REVERSE THE HOT AND NEUTRAL CONNECTIONS OR SAFETY WILL BE COMPROMISED.
6. Connect the fixture ground (bare) wire with the ground wire from the outlet box using wire nuts (H).
ITS IMPERATIVE THAT THIS FIXTURE BE GROUNDED
7. Affix the backplate (C) to the mounting plate (D) by screwing the cap nuts (F) to the screws (G).
8. Insert the bulbs (not included) into the sockets.
9. Install the fixture (B) into backplate (C) using the finger screws (A).
10. Installation is complete, turn on power at fuse or circuit breaker.

***Clean with a dry, soft cloth only. Do not use harsh abrasives or chemical agents

