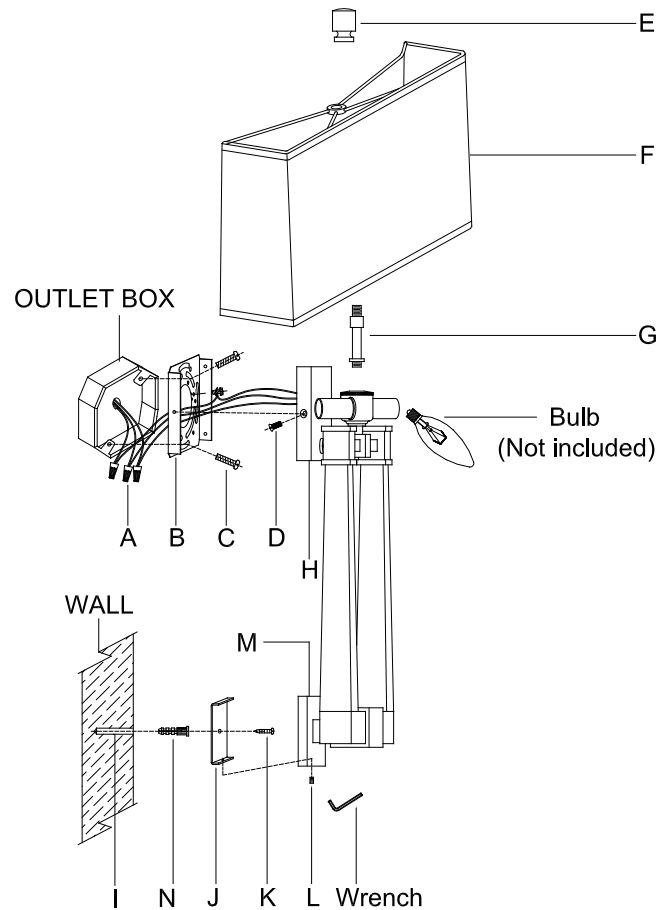


ASSEMBLY INSTRUCTIONS



Double Column Sconce

Item # CHD2957

WE RECOMMEND INSTALLATION OF THIS LIGHTING FIXTURE BE DONE BY A LICENSED ELECTRICIAN.

WARNING * SWITCH OFF THE MAIN ELECTRICAL SUPPLY FROM THE MAIN FUSE BOX/CIRCUIT BREAKER BEFORE INSTALLATION.**

INSPECT ITEM CAREFULLY BEFORE ATTEMPTING TO INSTALL. IF THERE IS ANY DAMAGE OR OBVIOUS DEFECT, DO NOT INSTALL.

ITEM MAY NOT BE RETURNED ONCE IT HAS BEEN INSTALLED.

1. Remove the mounting plate (B) from the backplate (H) by loosening the side screws (D).
2. Affix mounting plate (B) to the outlet box and secure with mounting screws (C).
3. Connect the hot wire (BLACK) from the fixture to the hot wire from the outlet box (usually BLACK). Fasten them together with a plastic wire connector (A) provided and wrap the connection with electrical tape.
4. Repeat this procedure for the neutral wire (WHITE) from the fixture to the wire from the outlet box (usually WHITE).
DO NOT REVERSE THE HOT AND NEUTRAL CONNECTIONS OR SAFETY WILL BE COMPROMISED.
5. Connect ground wire from the fixture (bare copper) to ground wire from the outlet box (usually green or copper in color).
IT IS IMPERATIVE THAT THIS FIXTURE BE GROUNDED.
6. Twist the wire connections neatly into the outlet box.
7. Drill a hole (I) on the wall. Attach the anchor (N) into the wall hole (I).
8. Attach the bracket (J) onto the anchor (N) and secure with screws (K).
9. Attach the bottom plate (M) onto the bracket (J), then secure with sunk screws (L) by wrench provided.
10. Attach the backplate (H) to the mounting plate (B) and secure with side screws (D). Insert bulbs (not included) into the sockets.
11. Put the rod (G) to the top of the fixture.
12. Place shade (F) to the rod (G) and secure with finial (E).
13. Installation is complete, turn on power at fuse or circuit breaker.

***Clean with a dry, soft cloth only. Use no harsh abrasives or chemical agents.



VISUAL COMFORT & Co. Est. 1987