

## ASSEMBLY INSTRUCTIONS

### Cotswold Narrow Mirrored Sconce

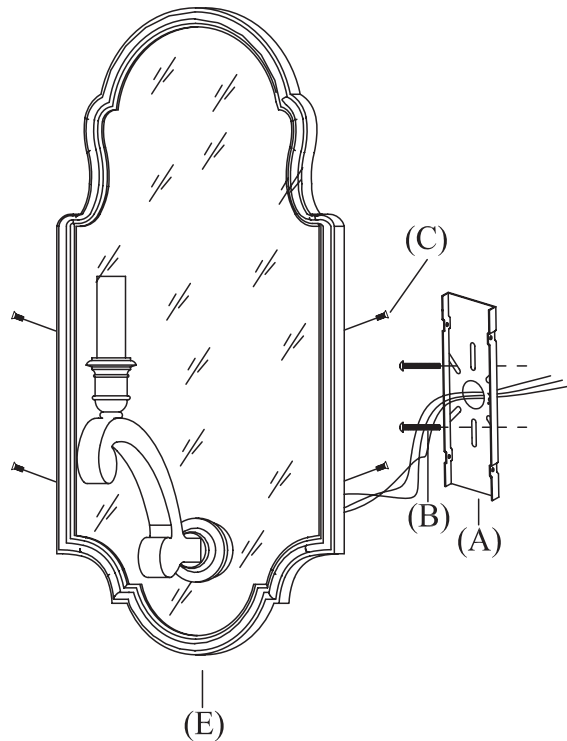
Item # CHD1601

**WE RECOMMEND INSTALLATION OF THIS LIGHTING FIXTURE BE DONE BY A LICENSED ELECTRICIAN.**

**WARNING \*\*\* SWITCH OFF THE MAIN ELECTRICAL SUPPLY FROM THE MAIN FUSE BOX/CIRCUIT BREAKER BEFORE INSTALLATION.**

**INSPECT ITEM CAREFULLY BEFORE ATTEMPTING TO INSTALL. IF THERE IS ANY DAMAGE OR OBVIOUS DEFECT, DO NOT INSTALL.**

**ITEM MAY NOT BE RETURNED ONCE IT HAS BEEN INSTALLED.**



1. Remove mounting plate (A) from fixture base (D) by removing base screws (C).
2. Affix mounting plate (A) to wall outlet box with mounting screws (B) provided.
3. Place fixture base (D) on the mounting plate (A), use the fixture base as the template, mark top line of the top edge of (D) on the wall. Remove the fixture base (D).
4. Measure distance of hanging key hole at backside of fixture base (D). Marking hole location on the wall with the same distance from the line marked on the wall.
5. Drill 1/8" holes into your pencil marks on the wall. For the hole: If you encounter a wall stud, then drive a mounting screw (F) into the hole with a Philips screwdriver.
6. If you don't encounter a wall stud, drive a plastic anchor (E) into the hole with a Philips screwdriver.
7. Once the plastic anchor (E) is flush with the wall surface, drive a mounting screw (F) into the plastic anchor (E) using a Philips screwdriver. In both case, leave approximately 1/8" of screw threads exposed.
8. Attach ground (green) wire to ground wire from wall outlet box (usually green or copper in color), fasten together with a plastic wire connector. Tightly wrap the wire connector with electrical tape so the end of the connector is sealed. IT IS IMPERATIVE THAT THE OUTLET BOX IN YOUR HOME BE PROPERLY GROUNDED.
9. Connect neutral (white) fixture wire coming from fixture base to neutral (usually white) outlet wire. Fasten both wires together with a plastic wire connector and tightly wrap the wire connector with electrical tape.

## ASSEMBLY INSTRUCTIONS

### Cotswold Narrow Mirrored Sconce

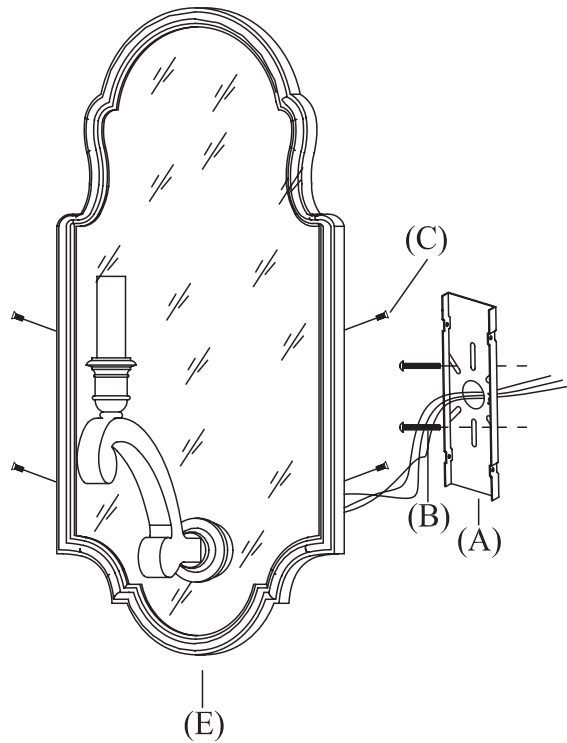
Item # CHD1601

**WE RECOMMEND INSTALLATION OF THIS LIGHTING FIXTURE BE DONE BY A LICENSED ELECTRICIAN.**

**WARNING \*\*\* SWITCH OFF THE MAIN ELECTRICAL SUPPLY FROM THE MAIN FUSE BOX/CIRCUIT BREAKER BEFORE INSTALLATION.**

**INSPECT ITEM CAREFULLY BEFORE ATTEMPTING TO INSTALL. IF THERE IS ANY DAMAGE OR OBVIOUS DEFECT, DO NOT INSTALL.**

**ITEM MAY NOT BE RETURNED ONCE IT HAS BEEN INSTALLED.**



10. Repeat the procedure with the hot (black) wires. Always make sure that no wire strands are left outside the connectors.

DO NOT REVERSE THE HOT AND NEUTRAL CONNECTIONS  
OTHERWISE SAFETY WILL BE COMPROMISED.

11. Hook fixture base (D) onto head of on screw (F) and attach fixture base (D) to mounting plate (A) and tighten with base screws (C).
12. Install bulb of correct type and wattage. See label on lamp.
13. Clip lamp shade (G) onto the light bulb.