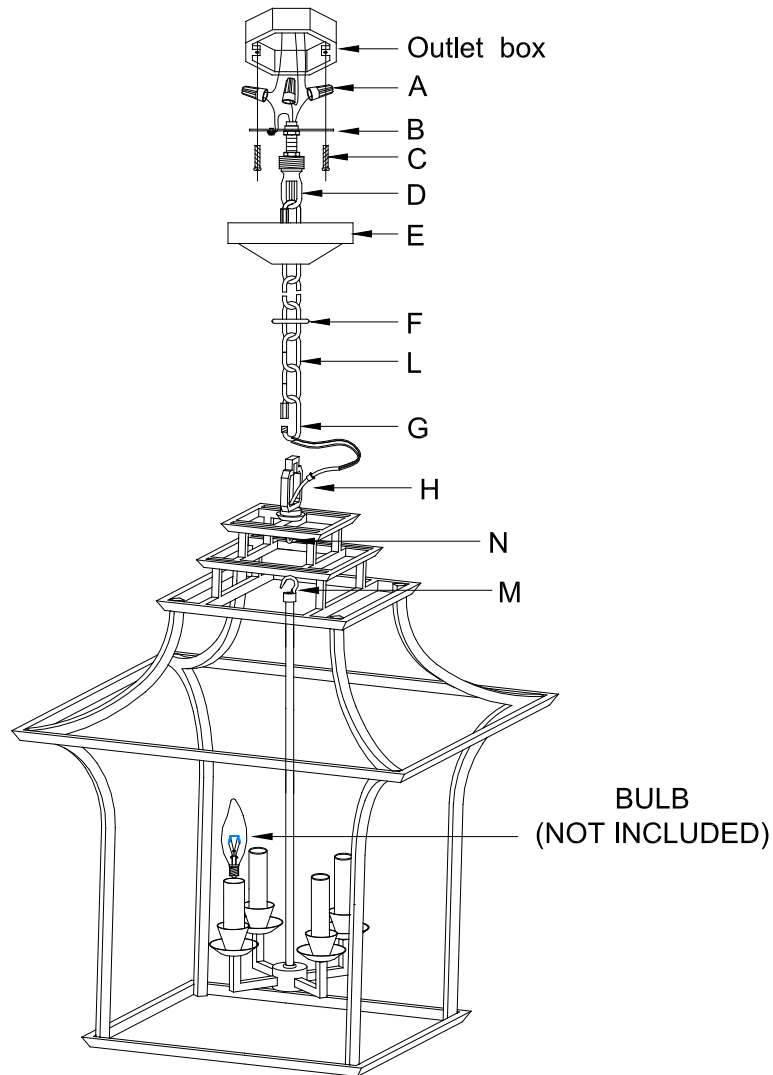


ASSEMBLY INSTRUCTIONS



Brighton Pagoda Lantern

Item # CHC3444

WE RECOMMEND INSTALLATION OF THIS LIGHTING FIXTURE BE DONE BY A LICENSED ELECTRICIAN.

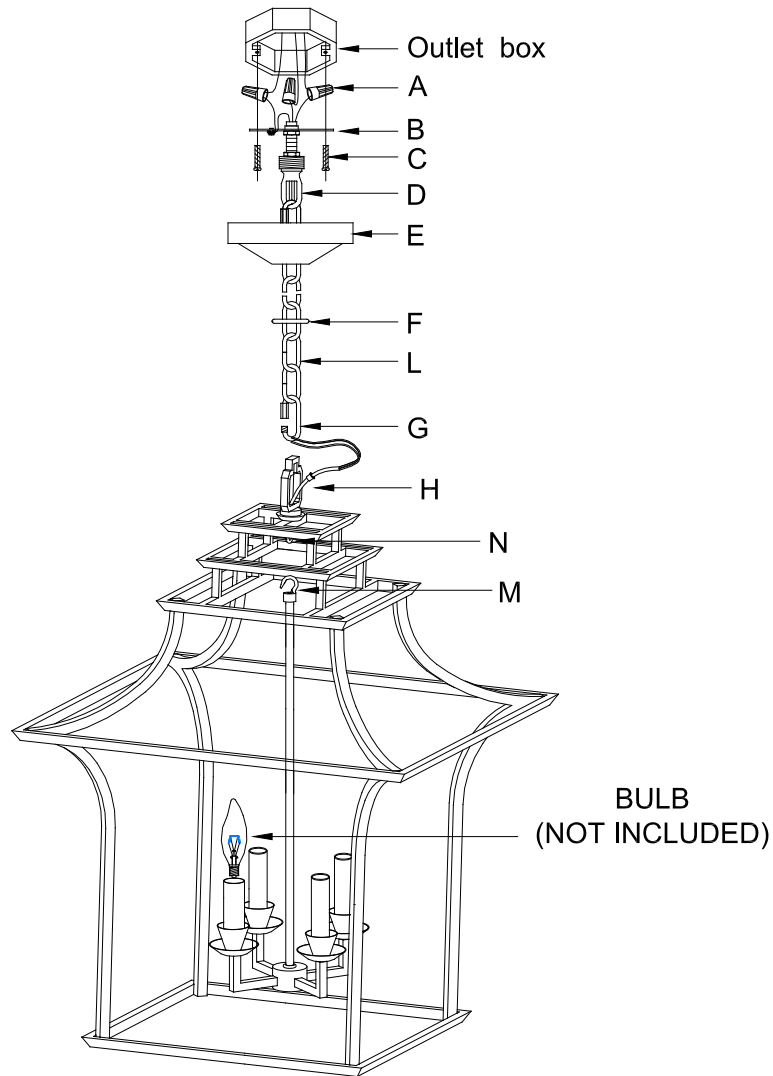
WARNING * SWITCH OFF THE MAIN ELECTRICAL SUPPLY FROM THE MAIN FUSE BOX/CIRCUIT BREAKER BEFORE INSTALLATION.**

INSPECT ITEM CAREFULLY BEFORE ATTEMPTING TO INSTALL. IF THERE IS ANY DAMAGE OR OBVIOUS DEFECT, DO NOT INSTALL.

ITEM MAY NOT BE RETURNED ONCE IT HAS BEEN INSTALLED.

1. Install the crossbar (B) with ceiling loop (D) to outlet box by using mounting screws (C) provided.
2. Put canopy (E) to ceiling loop (D), and secure with lock collar (F).
3. Using the dimensions of the fixture as a guide, shorten the chain (L) provided using a pair of chain pliers. Take into consideration that you will use the chain end link to mount the chandelier once you have cut the chain.
4. Unscrew the collar on the chain end link. Attach the chain end link to the ceiling loop. Attach the chain (L) (now desired length) to the chain end link. Close the threaded collar to secure the chain.
5. Carefully hook center tube (M) onto fixture body (N).
6. Raise fixture body (N) up and attach to lower chain end link, and close threaded collar to secure.
7. Unwrap the wiring from the top of the fixture body. Weave the power supply cord and the ground wire through the chain (L).
8. Strip the insulation back on the two power supply wires about 5/8".
9. When you reach the canopy and ceiling loop, measure the wires and cut. Be certain to leave enough to connect inside of the canopy.
10. Twist the power supply and ground wires together and push through the center hole in the ceiling loop. Loosen the lock collar (F) and let the canopy (E) slip down the chain (L) carefully.
11. Connect the Ground (bare) wire with the ground (usually bare) wire from your ceiling box using wire nut (A). If your house does not have ground wire, then attach this wire to the green grounding screw inside of outlet box.
IT IS IMPERATIVE THAT THE J-BOX IN YOUR HOME BE PROPERLY GROUNDED.

ASSEMBLY INSTRUCTIONS



Brighton Pagoda Lantern

Item # CHC3444

WE RECOMMEND INSTALLATION OF THIS LIGHTING FIXTURE BE DONE BY A LICENSED ELECTRICIAN.

WARNING * SWITCH OFF THE MAIN ELECTRICAL SUPPLY FROM THE MAIN FUSE BOX/CIRCUIT BREAKER BEFORE INSTALLATION.**

INSPECT ITEM CAREFULLY BEFORE ATTEMPTING TO INSTALL. IF THERE IS ANY DAMAGE OR OBVIOUS DEFECT, DO NOT INSTALL.

ITEM MAY NOT BE RETURNED ONCE IT HAS BEEN INSTALLED.

12. Connect the Neutral wire with the Neutral (usually white) wire from your ceiling box using wire nut (A).
13. Connect the Hot (smooth edge, markings, or black) wire with the Hot (usually black) wire from your outlet box using wire nut (A).
DO NOT REVERSE THE HOT AND NEUTRAL CONNECTIONS OR SAFETY WILL BE COMPROMISED.
14. Tuck these wire connections neatly into the ceiling outlet box.
15. Put canopy (E) to ceiling loop, and secure with lock collar (F).
16. Install the light bulbs (not included) into sockets.
17. Installation is complete, turn on power at fuse or circuit breaker.