

PS-263-BN Andreus

- **"Traditional Series"**
- **Two-Handle Widespread Deck Mount**
- **3-Hole Installation**
- **6" to 10" Centers**

STANDARD SPECIFICATIONS

- Solid brass body
- Widespread
- Washerless cartridges
- 1/2" NPSM inlet connectors
- Pop-up drain included
- Maximum flow rate 1.5gpm @ 60 PSI

FINISHES INCLUDE

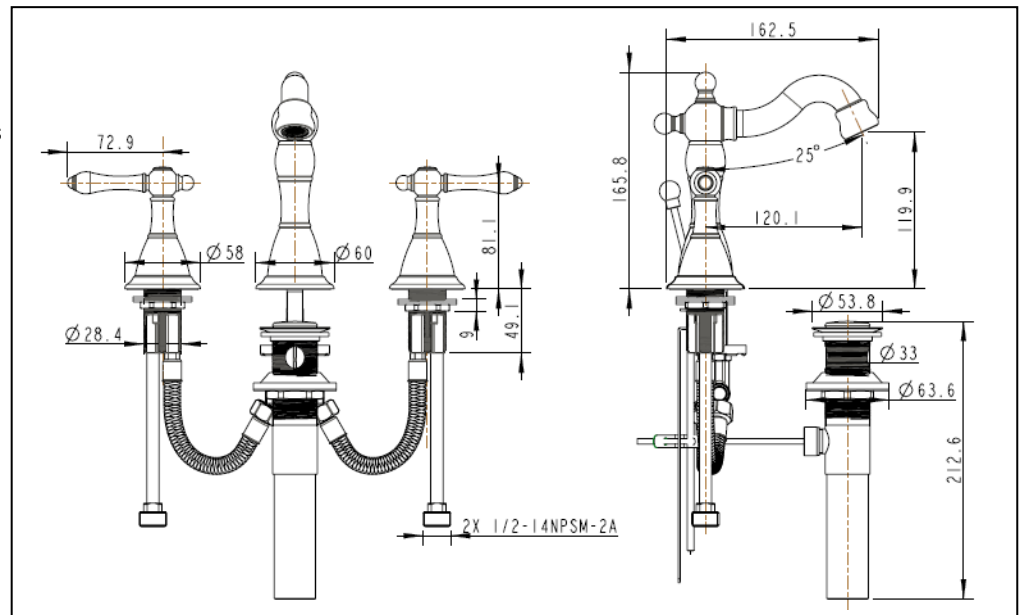
- Chrome (UF55210)
- Brushed nickel (UF55213)
- Oil rubbed bronze (UF55215)

WARRANTY

- Ultra Faucets warrants to the original purchaser that its products will be free from defects in workmanship and materials. All Ultra Faucets are provided with a lifetime limited warranty. See assembly instruction for detail.

COMPLIES WITH

- NSF 61-9
- ASME A112.18.1
- CSA B125.1
- cUPC
- AB1953
- WaterSense



VIRTU USA