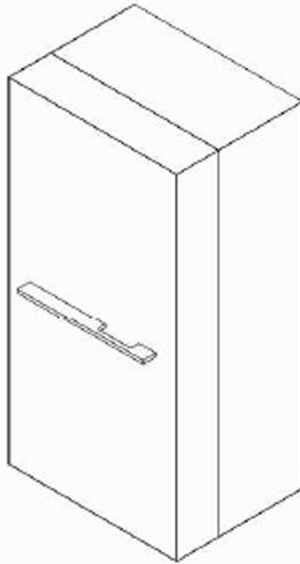


# ESC-342 Specification Sheets



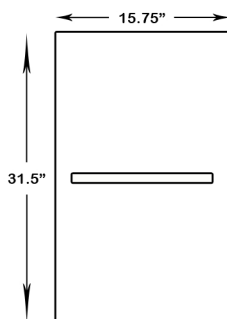
**Dimensions** 15.7" W x 11.8" D x 11.8" H



**Model**

**ESC-342**

**Cabinet Front**



**Cabinet Side**



**Cabinet Back**

