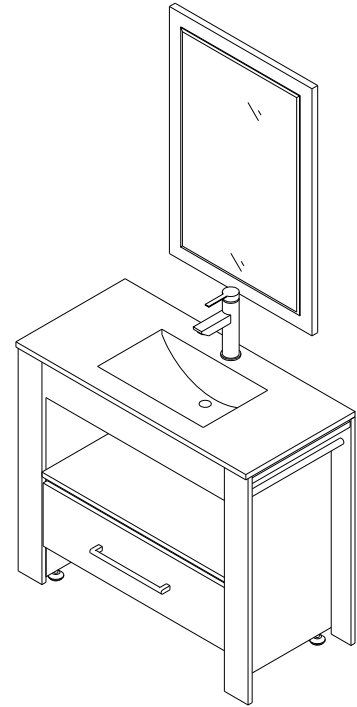




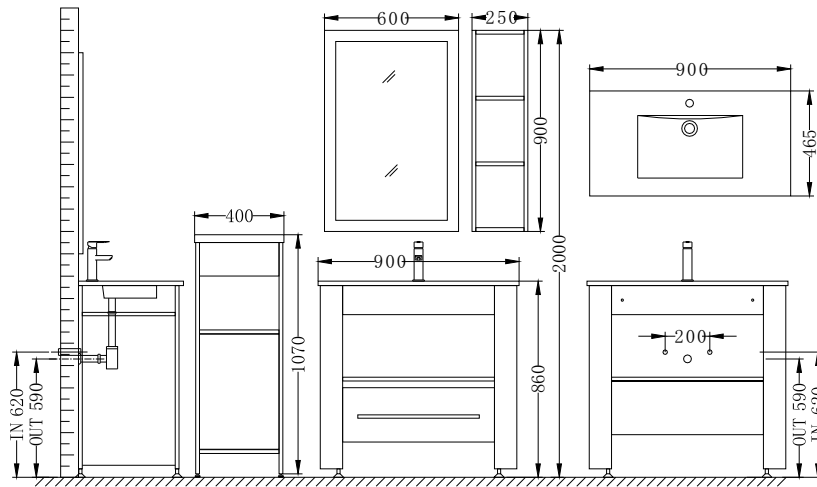
VIRTU USA

MODEL:ES-2436

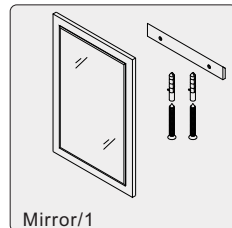
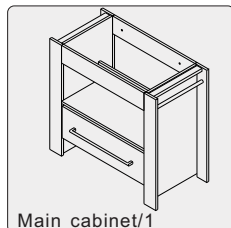
- Please check your product packaging to make sure the included accessories are in the "list of standard accessories", if defect please immediately contact the local dealer.
- Please do not let any sharp scratch the cabinet surface.
- Please do not let any part of cabinet under longtime solarization, it will cause part aberrations of cabinet color.
- Please do not let hot items touch the surface of cabinet directly or please insulate with a cushion.
- Please do not let the surface of cabinet exposure to corrosive liquids, such as alcohol, banana oil, gasoline, nail polish, acid, alkali and so on.



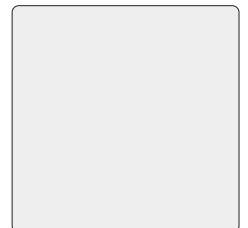
## INSTALLATION



## MAIN BODY PARTS

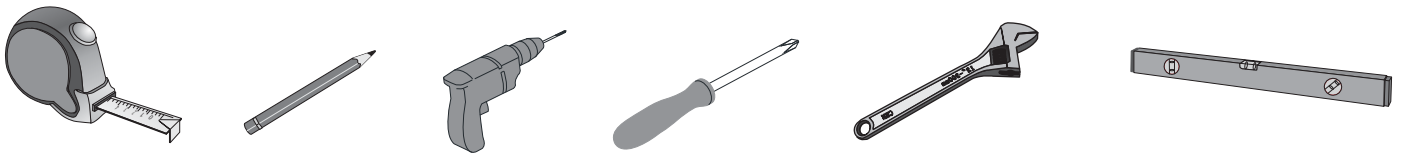


## INSTALLATION PARTS

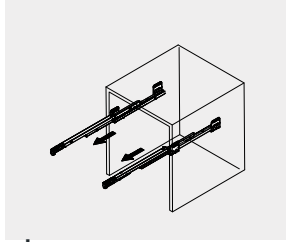


*Virtu USA vanities are handcrafted and may vary with a minor manufacturing tolerance. Natural stone characteristics are very subjective and may vary with natural veining, crystallization and lining.*

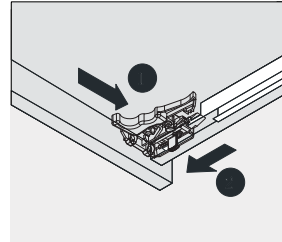
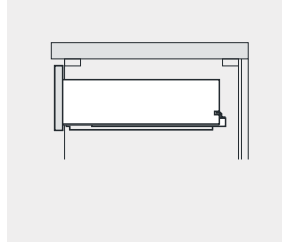
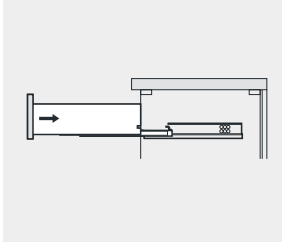
# ERECTING TOOL



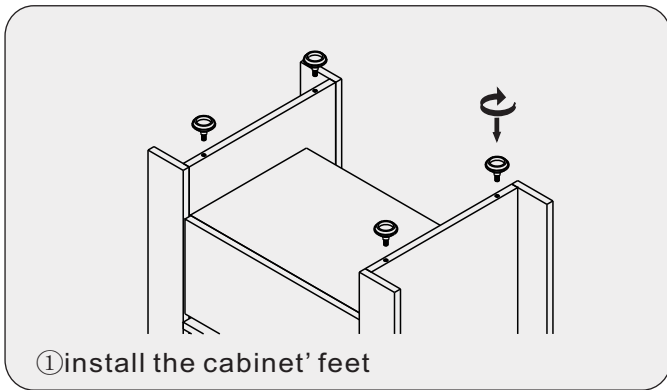
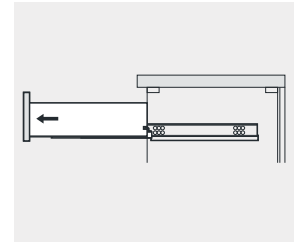
## DRAWER UBSTAKKM , REMOVE,ADJUST



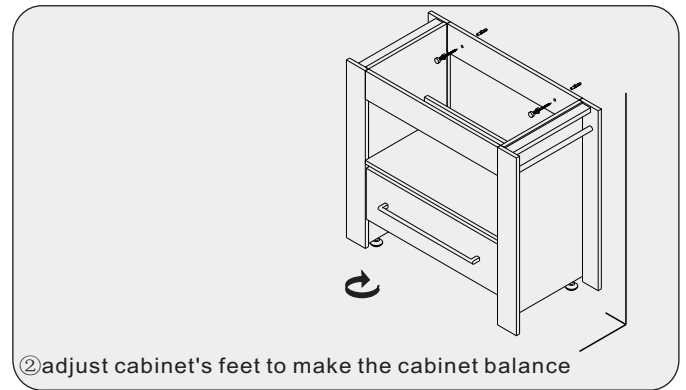
hang



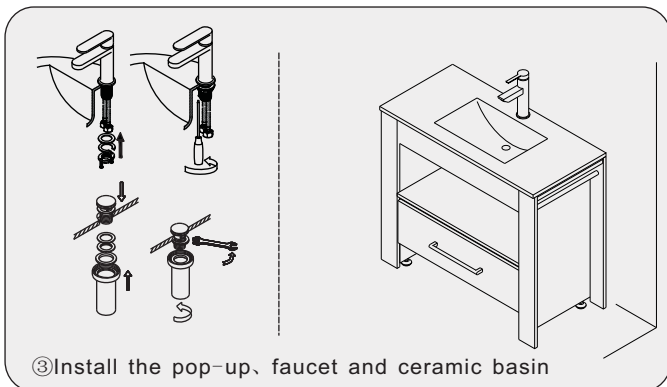
remove



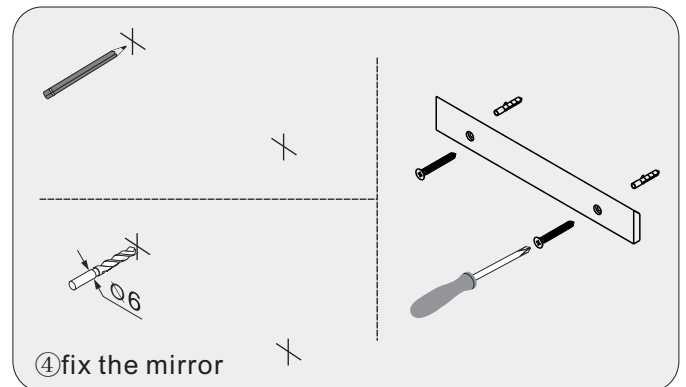
① install the cabinet' feet



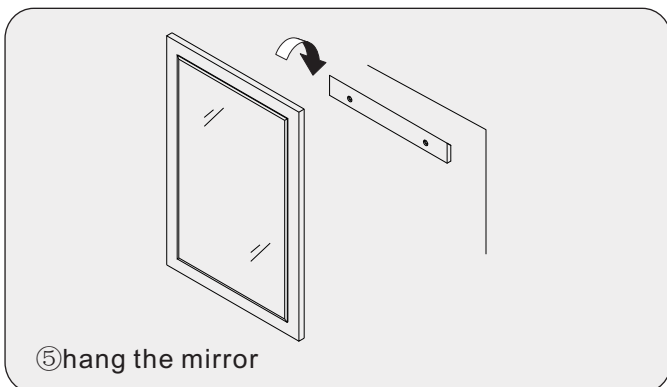
② adjust cabinet's feet to make the cabinet balance



③ Install the pop-up, faucet and ceramic basin



④ fix the mirror



⑤ hang the mirror

