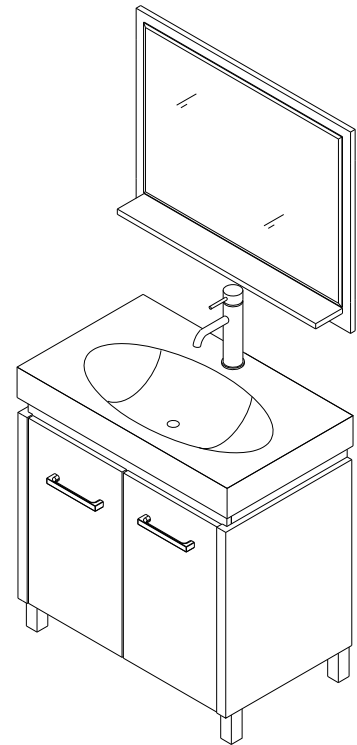




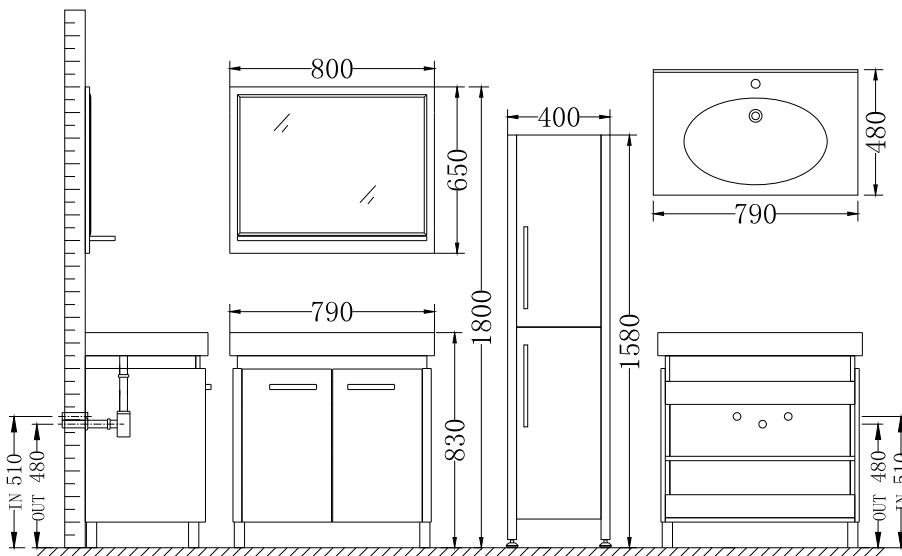
VIRTU USA

MODEL:ES-1432

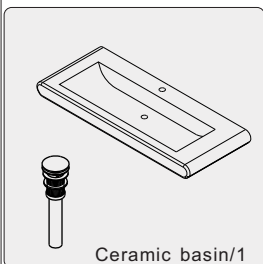
- Please check your product packaging to make sure the included accessories are in the "list of standard accessories", if defect please immediately contact the local dealer.
- Please do not let any sharp scratch the cabinet surface.
- Please do not let any part of cabinet under longtime solarization, it will cause part aberrations of cabinet color.
- Please do not let hot items touch the surface of cabinet directly or please insulate with a cushion.
- Please do not let the surface of cabinet exposure to corrosive liquids, such as alcohol, banana oil, gasoline, nail polish, acid, alkali and so on.



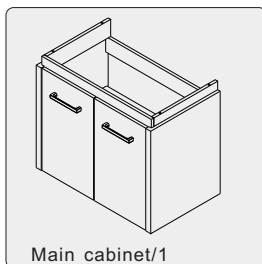
INSTALLATION



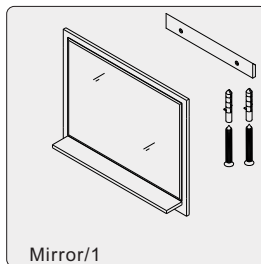
MAIN BODY PARTS



Ceramic basin/1



Main cabinet/1

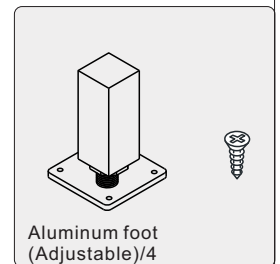


Mirror/1

INSTALLATION PARTS



Install screw/3

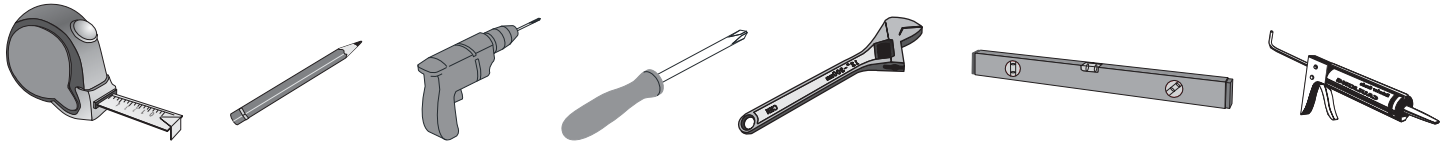


Aluminum foot (Adjustable)/4

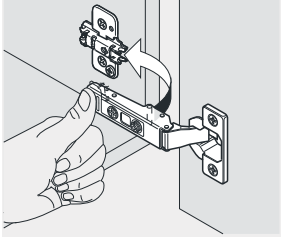
Install screw/16

Virtu USA vanities are handcrafted and may vary with a minor manufacturing tolerance. Natural stone characteristics are very subjective and may vary with natural veining, crystallization and lining.

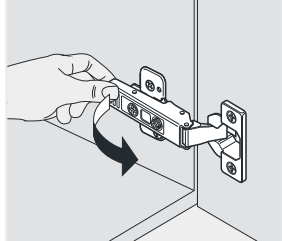
ERECTING TOOL



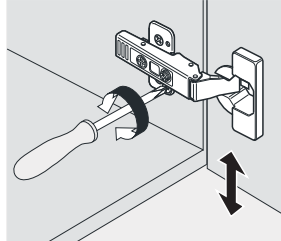
INSTALL, REMOVE, ADJUST OF TOP FAST LOADING HINGE



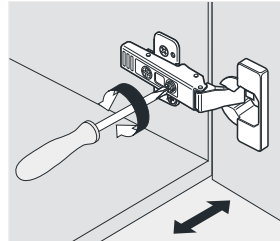
install



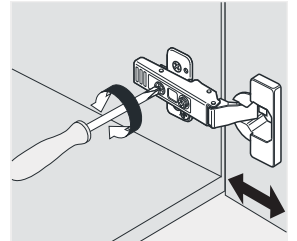
remove



adjust the height

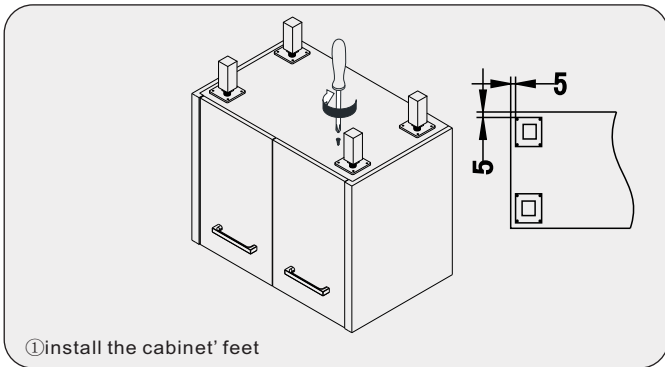


adjust the lateral

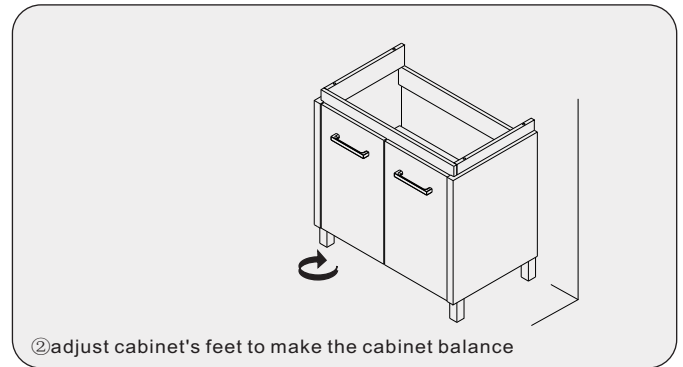


adjust the deep

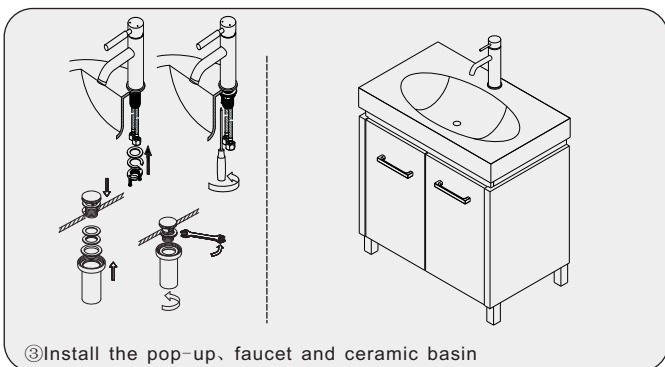
INSTALLATION INSTRUCTIONS



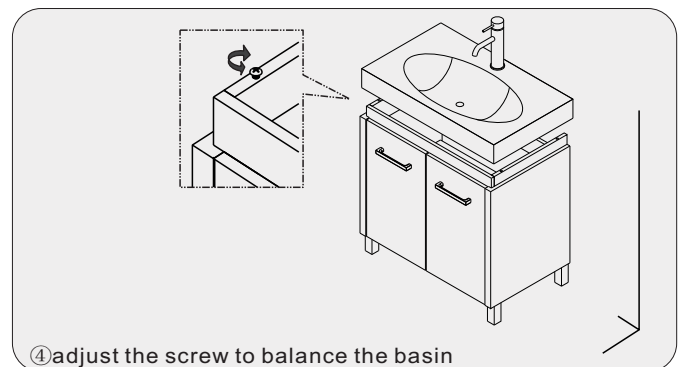
① install the cabinet' feet



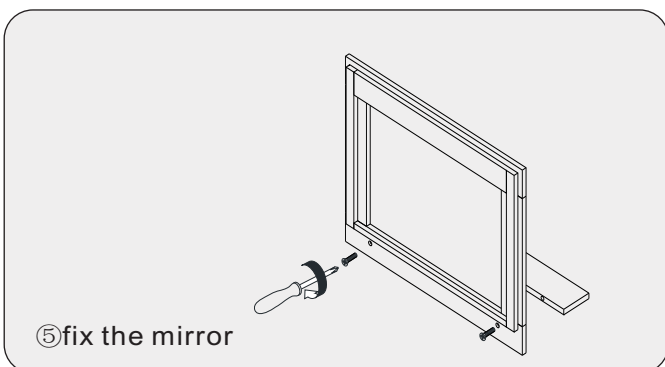
② adjust cabinet's feet to make the cabinet balance



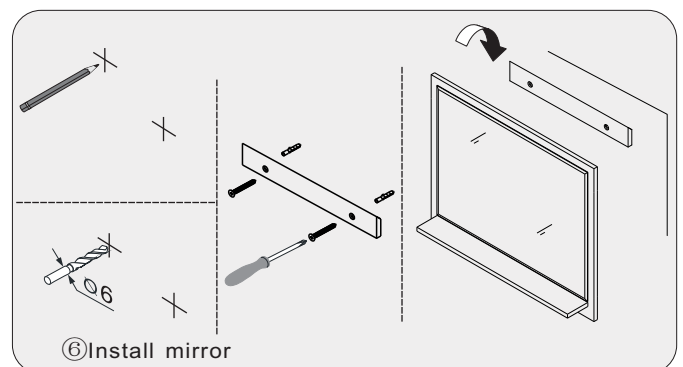
③ install the pop-up, faucet and ceramic basin



④ adjust the screw to balance the basin



⑤ fix the mirror



⑥ Install mirror