

# W Series Single Bottle Height

Installation Instructions for all Bottle Height wine rack (WVS-SB)



## Parts List

- 1 Base strip
- 1 Neck strip
- 4 mounting hole caps
- 2 Plastic Couplers
- 4 screws
- 4 toggle bolts

## Required Tools

- Phillips head screw driver
- Level
- Pencil
- Tape Measure
- Drill

### Installation Notes:

If installing W Series racks to a W Series Frame, use the self-drilling screws and instructions supplied with the frame to attach racking. For concrete, brick or stucco installs, use  $3/16"$  x  $1\ 1/4"$  masonry screw or #8 x  $1\ 1/4"$  screw with appropriate size expanding concrete anchor (not included)

**1. Choose bottle direction:** Decide if you want the necks of the bottles facing left or right, and identify the base from the neck strip (base features wider support divots that rest lower on the frame).

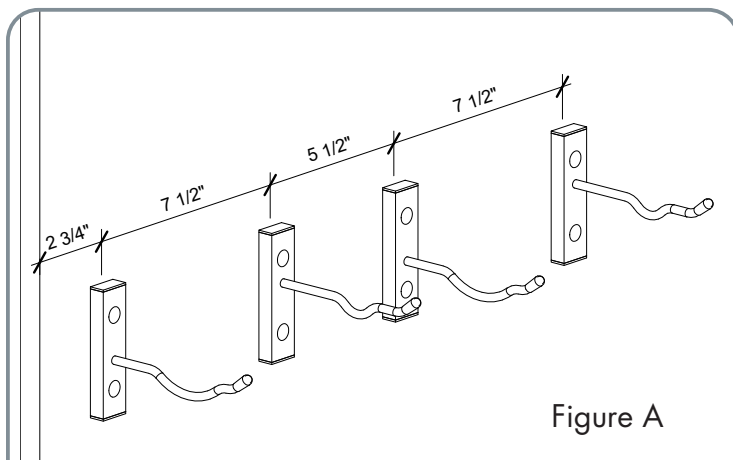


Figure A

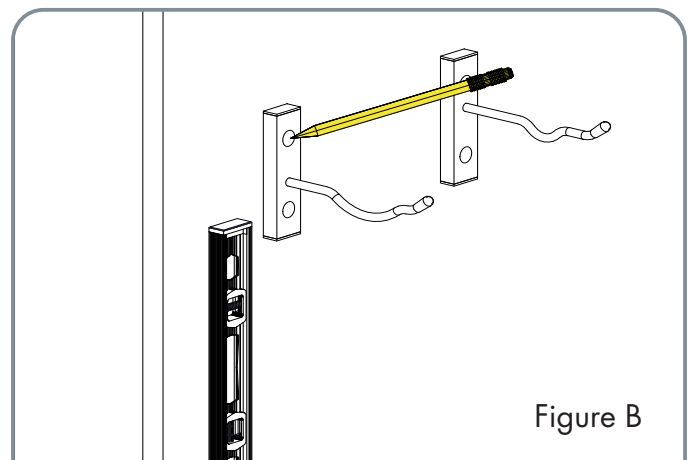


Figure B

**2. Lay out the wall:** Starting at least  $2\ 3/4"$  (70 mm) from adjacent wall or other obstructions, mark the centerline of the first strip. From there, measure  $7\ 1/2"$  (190.5mm) from that mark for the distance between the neck and the base strips. (Figure A)

**3. Mark the hole location for the strip:** Hold either the neck or base strip of the rack in place against the wall, centered on the first mark the appropriate distance above the floor. Ensure that the rack is plumb using a level and mark the hole locations with a pencil. Set the strip aside. (Figure B)

**4. Check for Studs:** Drill  $1/16"$  (1.5mm) pilot holes at marked locations to check studs or wood backing.

**Pro Tip:** If installing multiple columns, mark the centerline for the next strip  $5\ 1/2"$  (139.7mm) from the second mark and mark again  $7\ 1/2"$  (190.5mm) from that mark for the distance between the neck and the base strips. To lay out additional columns, mark the wall, alternating between  $5\ 1/2"$  and  $7\ 1/2"$ .

**Smaller bottles:** If installing racking for 375ml bottles, we recommend adjusting the  $7\ 1/2"$  centerline dimension to  $5\ 1/2"$  (139.7mm) between the base and neck strips.

**5a. If drywall:** For both mounting points, drill a  $13/32"$  (10.3mm) hole for a Toggle Bolt.

**5b. If wood or stud:** Skip to end of step 6.



**6. Hang the first strip:** **If drywall**, take two toggle bolts and remove the expanding nuts. Insert bolts through each mounting hole of either the base or neck strip. With the wings of each nut oriented to fold toward the head of the bolt, thread the expanding nuts onto the bolts so the tip of the bolt starts to protrude from the end of the nut. Hold the strip so the toggle bolts align with the holes and gently push each expanding nut through the wall. Ensure that the wings have fully expanded on the back side of the wall and gently tighten, verifying the necks remain level. (Figure C)

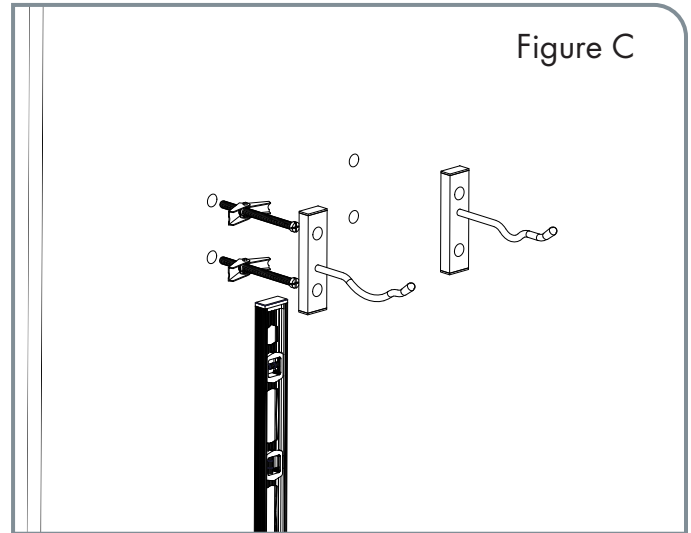


Figure C

**If wood**, substitute provided drywall anchors with provided wood screws and install the strip to wall as defined above.

**7. Hang the second strip:** Repeat steps 3 through 6 with the second strip, centering it horizontally with the second mark on your wall from Step 1 and ensuring that the tops of the strips are even with each other.

**8. Finishing:** Install provided mounting hole caps in the 1/2" holes on the face of the rack by pressing into place. For Luxe models, the plated mounting hole covers must be removed with a screw driver. (Figure D)

**9. Add wine:** Only the good stuff.

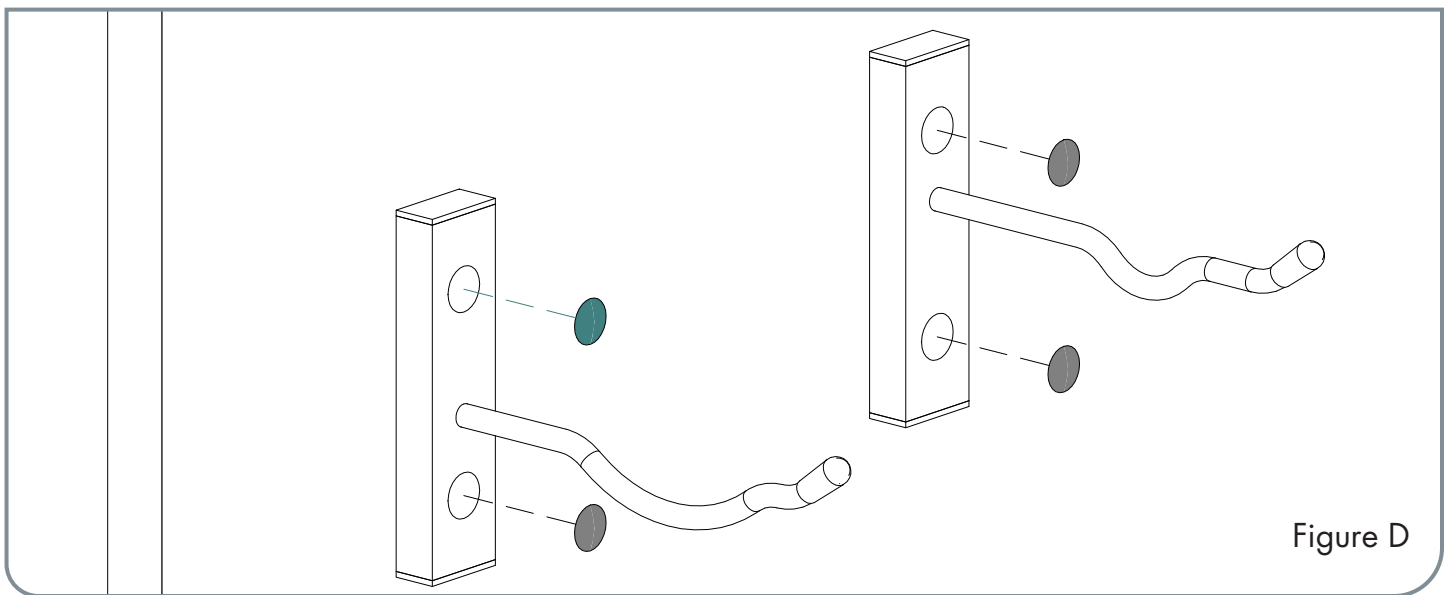


Figure D

**Note:** VintageView W Series racks are designed to stack, one on top of the other. Remove the endcaps from the racking and use the supplied couplers to align the two racks when stacking.

